



# Performance Floors & All

Pets & Family

## User Guide



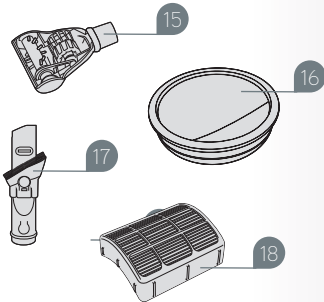
**2 year  
warranty**

# Contents

Contents	1
Machine Overview	2
General Safety Information	3
Getting Started	5
How To Use	6
Looking After Your Machine	8
FAQs	13
Other Information	14

# Machine Overview

- 1 Handle
- 2 Extension tube
- 3 Main body release button
- 4 Dirt container release button
- 5 Three way on/off switch
- 6 Separator
- 7 Dirt container
- 8 Post motor filter
- 9 Hose to machine connector
- 10 Hose to handle connector
- 11 Hose
- 12 Extension tube release button
- 13 Quick release cord hook
- 14 Power Cord
- 15 TurboTool
- 16 Pre-motor filter
- 17 2 in 1 tool
- 18 Post-motor filter










# General Safety Information

**This vacuum cleaner is intended for household use only and NOT for commercial or industrial use.**

When using the vacuum cleaner basic safety precautions should always be observed, including the following:

1. Only use the vacuum cleaner indoors on dry surfaces.
2. Turn off the on/off switch on the vacuum cleaner controls before disconnecting or connecting from the mains supply.
3. Always unplug the vacuum cleaner before connecting or disconnecting the vacuum hose and accessories.
4. Children should be supervised to ensure that they do not play with the appliance.
5. This appliance is not intended for use by children and persons with reduced physical, sensory or mental capabilities or lack of experience and knowledge, unless they have been given supervision or instruction concerning use of the appliance in a safe way and understands the hazards involved.
6. Cleaning and maintenance shall not be made by children.
7. The appliance should only be used as described in this user guide.
8. Only Vax recommended attachments should be used with this appliance.
9. Do not use this vacuum cleaner if it has been dropped, damaged, left outdoors or dropped into water. Do not use this vacuum cleaner with a damaged cord or plug.
10. Do not pull or carry this appliance by the cord. Do not use the cord as a handle, close a door on the cord or pull the cord around sharp edges or corners. Do not run the vacuum cleaner over the cord. Keep the cord away from heated surfaces.
11. Do not handle the plug or the vacuum cleaner with wet hands.
12. Keep hair, loose clothing, fingers and all parts of the body away from openings and moving parts.
13. Do not pick up any hot coals, ash, cigarette butts, matches or any hot, smoking or burning objects.
14. Do not pick up any flammable or combustible materials (lighter fluid, petrol, kerosene etc.) or use in the presence of explosive liquids or vapours.
15. Do not vacuum harmful or toxic material (chlorine, bleach, ammonia, drain cleaner etc.).
16. Do not vacuum hard or sharp objects such as glass, nails, screws, coins etc.
17. Do not vacuum plaster dust, concrete dust or any other building or vitreous materials.
18. Do not vacuum flour, baking soda or any other powder-based carpet refresher or deodoriser.
19. Store the vacuum cleaner in a cool, dry area.
20. Use only SAA approved 10amp extension cords. Non-approved cords may overheat. Care should be taken to arrange the cord so that the cord cannot be tripped over.
21. Do not put any objects into openings. Do not use with any openings blocked and do not restrict airflow. Keep all openings free of dust, lint, hair or anything that might reduce airflow.
22. Do not use the vacuum cleaner with blocked filters and without all of the filters in place.
23. Take extra care when positioning the vacuum cleaner on the stairs.
24. Keep vacuuming area well lit.

# General Safety Information

-  **WARNING:** Always switch off and unplug the vacuum cleaner from the electrical socket before assembling, opening or emptying the dirt container, or before connecting/disconnecting the attachments.
-  **CAUTION:** The vacuum cleaner is a very powerful unit. Before plugging the cord into the electrical socket, make sure the switch is in the 'off' position.
-  **IMPORTANT:** If the inlet, hose or telescopic tube is blocked, switch off the vacuum cleaner and remove the blockage(s) before re-starting the vacuum cleaner.
-  **IMPORTANT:** Vax recommends the use of Residual Current Device Rating of 30mA or less.
-  **IMPORTANT:** It is very important that filters are kept clean to obtain maximum performance from your vacuum cleaner. Not cleaning and not replacing your filters regularly can reduce the suction power and cause overheating and permanent damage to the vacuum cleaner.
-  **NOTE:** If the supply cord is damaged it must be replaced by the manufacturer, or a similarly qualified person in order to avoid hazard, or invalidating the warranty.
-  **IMPORTANT:** The motor is equipped with a thermal cut-out. If for any reason the unit should overheat (eg. from blocked nozzles, a full dust container or unclean filters), the thermostat will automatically turn off the switch. Should this occur, unplug the vacuum cleaner from the electrical socket and turn off the switch. Remove dirt container and empty. Clean filters. Allow the unit to cool for approximately one (1) hour. To re-start, plug into an electrical socket and switch back on.

**DAMAGE TO THE VACUUM CLEANER CAUSED AS A DIRECT RESULT OF NOT ADHERING TO THE GENERAL SAFETY INFORMATION AND THE INSTRUCTIONS IN THIS USER GUIDE INVALIDATES THE WARRANTY.**

**PLEASE KEEP INSTRUCTIONS FOR FURTHER USE.**

## **Taking care of your carpets and hard floors**

The Performance Floors & All is designed to make vacuuming carpets and hard floors regularly, as effective and efficient as possible and this user guide will help you get the most out of your machine.

Maintaining your carpets and hard floors will ensure they keep their appearance for longer. You've chosen carpets and hard floors for your home for a reason and Vax will help you take good care of them.

## **Taking care of your Performance Floors & All**

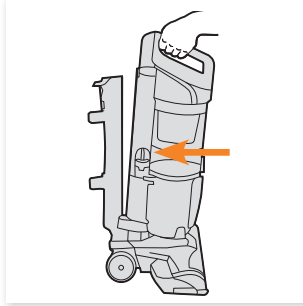
Also inside this guide are instructions on maintaining your new machine, so that it's always ready when you are to tackle your carpets and hard floors.

# Getting Started

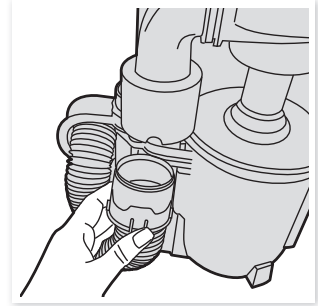
## Assembling your upright



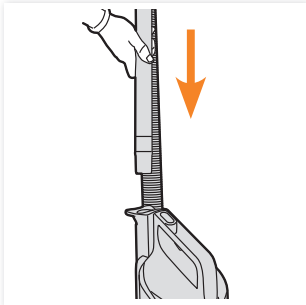
Place the dirt container onto the main body and click into position.



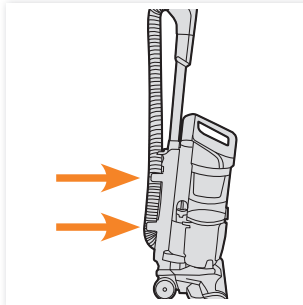
Align the main body with the floor head and push into place.



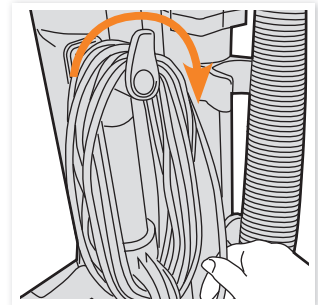
Push the hose into the hose to machine connector and twist to lock into position.



Insert the extension tube into the top of the main body and click into place.



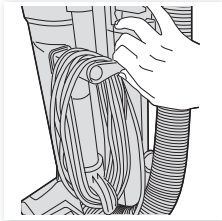
Push the hose into the hose clips on the machine.



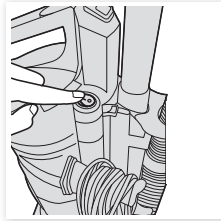
Wrap the power cord around the quick release cord hook and the lower cord hook, continue wrapping the power cord until it is secure.

## Before you begin cleaning

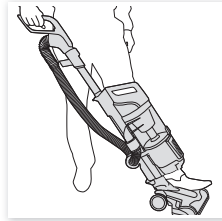
- Always switch off and unplug the vacuum cleaner before connecting or disconnecting the hose/attachments, or removing and emptying the dirt container.
- The vacuum cleaner is equipped with a thermal cut-out. If for any reason the vacuum cleaner does overheat the thermostat will automatically turn the vacuum cleaner off. If this happens, switch the vacuum cleaner off and unplug from electrical socket. Remove and empty the dirt container also check the vacuum cleaner for blockages. Allow the vacuum cleaner to cool for approximately 1 hour (if you have cleaned the filters please wait 24 hours for the filters to fully dry before putting back into the vacuum).
- For best cleaning results filters require cleaning at least every 3 months.
- If the vacuum cleaner is blocked, switch off and unplug before removing the blockage.
- When using the accessories always make sure the brushbar is switched to the off position.



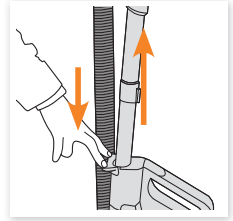
Twist the quick release cord hook to release the power cord.



Plug in the machine. Press the three way on/off switch to turn on.



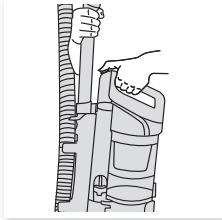
Place your foot gently onto the floorhead and pull the handle back to recline the machine.



To release the handle with extension tube press the extension tube release button and lift the handle to remove.

# How To Use

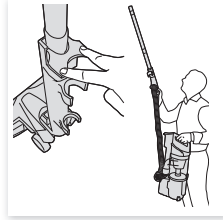
## Using the floorhead without the main body



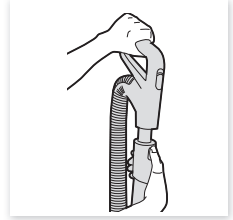
To remove the canister from the main body of the vacuum cleaner: Hold the dirt container handle, press the main body release button and lift to remove.



Put the main body to one side, use floorhead for difficult to reach places.



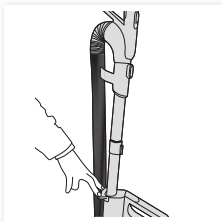
Press extension tube release button and lift the handle to remove.



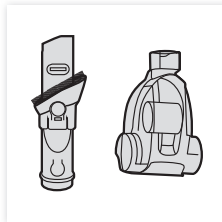
Press handle release button, pull extension tube to remove.

## Attaching accessories to telescopic tube or handle

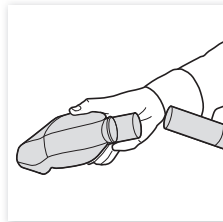
**WARNING:** Turn off brush bar when using the wand or hose.



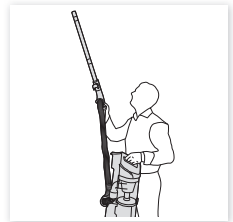
Press extension tube release button and lift handle to remove extension tube.



Choose an accessory.



Attach accessories to the end of extension tube or handle.



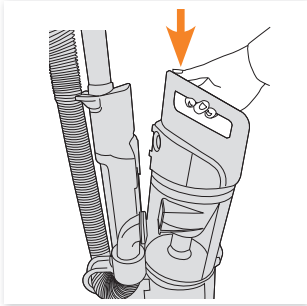
Always hold the vacuum cleaner when using the hose or extension tube.



# Looking After Your Machine

## Emptying and cleaning the dirt container

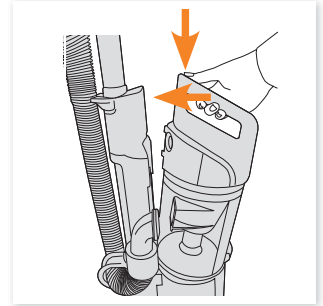
**NOTE:** Don't overfill the dirt container to avoid clogging the filter.



Press the dirt container release button and pull to remove the dirt container.



Hold dirt container over a bin and press the dirt container release button to open, allowing dirt to fall out.



When re-attaching the dirt container, align the base first then push until you hear an audible click. The dirt container is now locked in place.

# Looking After Your Machine

**NOTE:** For best cleaning results filters require cleaning at least every three months.

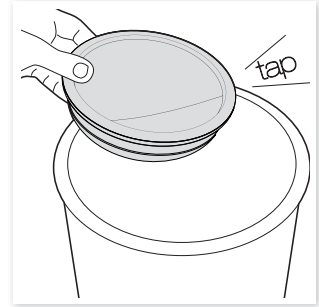
## Cleaning the pre-motor filter



Turn the dirt container lid anti-clockwise and lift to remove.



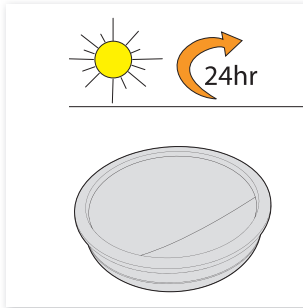
Grasp tab on filter and pull to remove.



Tap the filter over a bin to release any dirt.



Wash the filter under running water (40°C max).

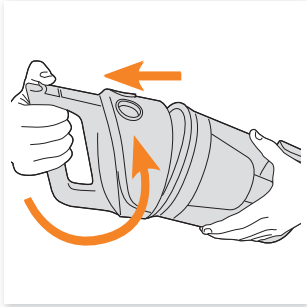


Leave to **fully dry** for at least 24 hours before putting back into the vacuum cleaner.

# Looking After Your Machine

**NOTE:** Always make sure the shroud is fully dry and correctly fitted before replacing back into the machine.

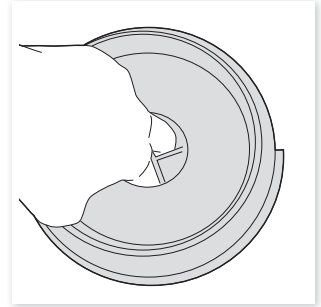
## Cleaning the shroud



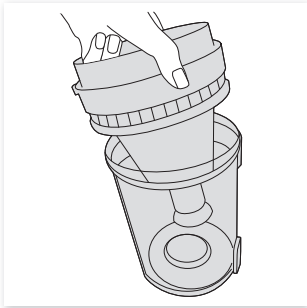
Turn the dirt container lid anti-clockwise and lift to remove.



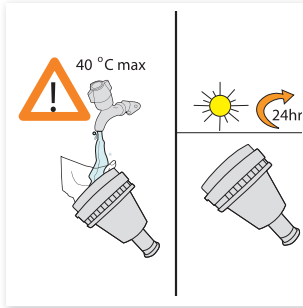
Grasp tab on filter and pull to remove.



Grasp the centre of the shroud and pull to remove.



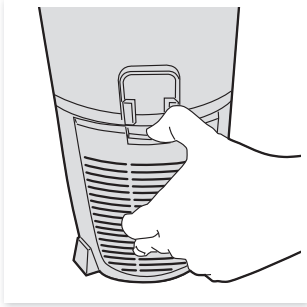
Lift the shroud from the dirt container and tap over a bin to remove dirt and debris.



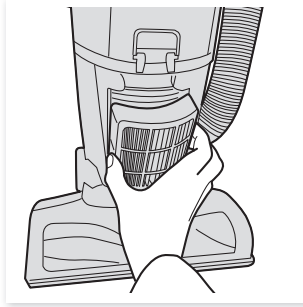
Wash the shroud under running water (Max 40°C) and leave to **fully dry** for at least 24 hours before replacing back into the dirt container.

# Looking After Your Machine

## Cleaning the post motor filter



Press button on post motor filter cover and remove.

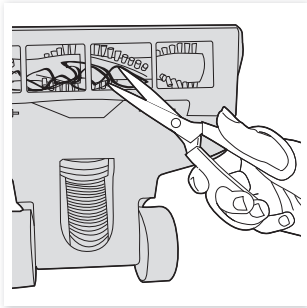


Pull the post motor filter from the machine.



Tap the post motor filter over a bin to remove any dirt and debris and replace it into the machine.

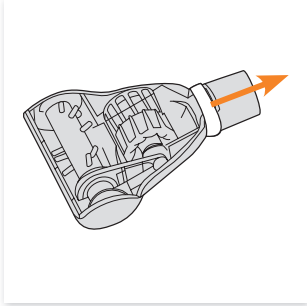
## Removing debris from the brushbar



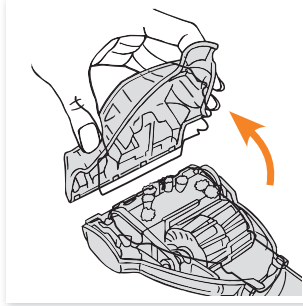
Switch off your vacuum cleaner at the main socket. Using a pair of scissors, cut any hair or debris free from around the brushbar.

# Looking After Your Machine

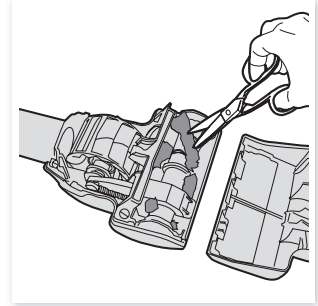
## Removing blockages from the TurboTool



Remove the rubber ring.

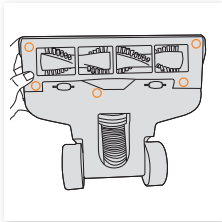


Push both buttons to open the turbo tool.

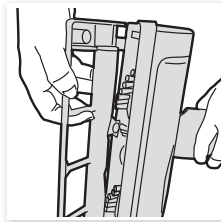


Using a pair of scissors, cut any hair or debris free from around the brushes.

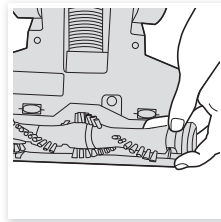
## Changing the belt



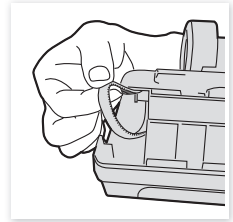
Switch off and unplug your vacuum cleaner. Recline the vacuum and lie it on its front, remove 5 screws to release brushbar cover.



Remove the brushbar cover and push the floor head into reclined position.



Lift the brushbar out of the floor head and remove the drive belt.



Remove the drive belt and any debris from the spindle. Loop new drive belt around the spindle first and then onto the brushbar. Insert the brushbar back into floor head and replace the brushbar cover, insert 5 screws to secure.

**Warning:** To reduce the risk of personal injury, unplug the vacuum cleaner before performing maintenance/troubleshooting checks.

**There is an accessory missing**

- Check the 'This pack contains' panel on the box to make sure the part is included with your machine.

**Why does my vacuum cleaner have no power?**

- The plug may not be fully pushed into the electrical socket.
- The motor thermostat may have tripped. If this has happened, unplug the vacuum cleaner. Remove and empty the dirt container and check the hose for blockages. Clean the filters and allow the vacuum cleaner to cool for approximately 1 hour (if you have washed the filters you will need to wait 24 hours for the filters to fully dry before putting them back into the vacuum cleaner).

**Why won't the vacuum cleaner pick up?**

- The dirt container may not be installed correctly, remove the dirt container and re-attach making sure it is clicked firmly into place.
- There may be a blockage in the hose. Please remove the hose from the vacuum cleaner, check and clear any blockages.
- Dirt container may be blocked, empty the dirt container and clean filters. Go to 'Looking after your machine', pages 8-10.
- If the accessory/tool will not pick up, check and clear any blockages.
- The brushbar may not be turning. Go to 'My brushbar isn't turning' below.

**My brushbar isn't turning?**

- The brushbar may be clogged, check the brushbar and clear any hair or debris.
- The belt may be broken, go to 'Looking after your machine – changing the belt', on page 12.

## we're here to help

For troubleshooting please  
call or visit our website:

**AU: 1300 361 505**  
**vax.com.au**

**NZ: 0800 800 900**  
**vax.co.nz**

This does not affect your statutory rights

## Vax Service & Help

### Vax Careline:

Australia 1300 361 505  
New Zealand 0800 800 900

Monday-Friday 8.30am to 5.00pm

If you have queries or concerns about using your Vax, call the Vax Careline. Calls are charged at the standard local rate. Please make a note of the serial number and model number of the vacuum cleaner before calling.

For the nearest Service Agent, please call the Vax Customer Careline or visit [vax.com.au](http://vax.com.au) in Australia or [vax.co.nz](http://vax.co.nz) in New Zealand.

## Technical Specification

Model no.: VX6  
Voltage: 220-240V ~50Hz  
Wattage: 1200W  
Capacity: 2L  
Cord length: 10m  
Weight: 7.5kg

Subject to technical change without notice.



Double Insulated



Indoor Use



Read Instructions



Distributed by Techtronic Industries Australia Pty. Ltd.  
31 Gilby Road, Mt Waverley, VIC 3149 Australia.  
[www.vax.com.au](http://www.vax.com.au) Careline AU: 1300 361 505  
[www.vax.co.nz](http://www.vax.co.nz) Careline NZ: 0800 800 900