



we  clean

# User Guide

Vax Service line AU: 1300 361 505

NZ: 0800 800 900

## Bagless Upright

# POWER3



**WARNING:** This cleaner has a constantly rotating brush bar which, when left in contact with lino, parquet and other hard flooring could potentially cause some damage to the floor surface.

**NOTE:** Vax recommends that you raise the height of the brush bar when using this cleaner on lino and hard flooring. Vax cannot be held responsible for damage to these surfaces if the customer fails to take notice of this recommendation.

## Get Cleaning...

What's your Vax's model number?

V P U P 1 9 0 0 B

What's your serial number? (Located on the base of the machine)

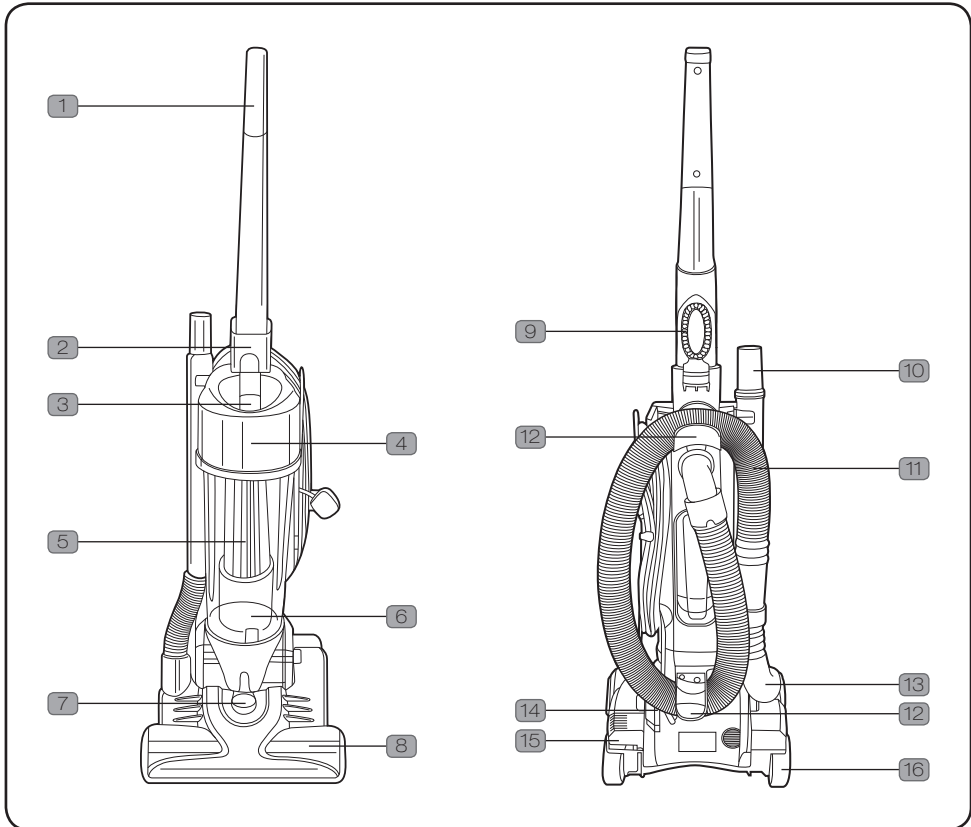
■ - ■ ■ ■ ■ ■ ■ - ■ ■ - ■ ■ - ■ ■ - ■ ■ ■ ■ ■ ■

Note these down in case you need them in future. Please keep instructions for further use.

[www.vax.com.au](http://www.vax.com.au)

# VPUP1900B

# Machine Overview



- |                          |                                    |
|--------------------------|------------------------------------|
| 1 Handle                 | 10 Crevice tool and extension wand |
| 2 Dirt container release | 11 Hose                            |
| 3 Dirt container handle  | 12 Hose guides                     |
| 4 Dirt container lid     | 13 Lower hose                      |
| 5 Filter                 | 14 Power on/off                    |
| 6 Dirt container         | 15 Handle release                  |
| 7 Carpet height adjuster | 16 Wheels                          |
| 8 Brush bar              |                                    |
| 9 Dusting brush          |                                    |

**WARNING:** This cleaner has a constantly rotating brush bar which, when left in contact with lino, parquet and other hard flooring could potentially cause some damage to the floor surface.

**NOTE:** Vax recommends that you raise the height of the brush bar when using this cleaner on lino and hard flooring. Vax cannot be held responsible for damage to these surfaces if the customer fails to take notice of this recommendation.

# General Safety Information

## FOR HOUSEHOLD USE ONLY.

When using the vacuum cleaner, basic safety precautions should always be observed, including the following:

1. Only use the vacuum cleaner indoors on dry surfaces.
2. Turn off the vacuum cleaner controls before disconnecting or connecting from the mains supply.
3. Always unplug the vacuum cleaner before connecting or disconnecting the vacuum hose and accessories.
4. Children should be supervised to ensure that they do not play with the appliance.
5. This appliance is not intended for use by persons (including children) with reduced physical, sensory or mental capabilities, or lack of experience and knowledge, unless they have been given supervision or instruction concerning use of the appliance by a person responsible for their safety.
6. Use only as described in this manual. Use only Vax recommended attachments.
7. Do not use the vacuum cleaner if it has been dropped, damaged, left outdoors or dropped into water. Do not use the vacuum cleaner with a damaged cord or plug. If the supply cord is damaged, it must be replaced by the manufacturer, its service agent or similarly qualified persons in order to avoid a hazard.
8. Do not pull or carry by cord. Do not use the cord as a handle, close a door on the cord or pull cord around sharp edges or corners. Do not run the vacuum cleaner over the cord. Keep the cord away from heated surfaces.
9. Do not handle the plug or vacuum cleaner with wet hands. Do not use outdoors or on wet surfaces.
10. Do not put any objects into openings. Do not use with any openings blocked and do not restrict airflow. Keep all openings free of dust, lint, hair or anything that might reduce airflow.
11. Keep hair, loose clothing, fingers and all parts of the body away from openings and moving parts.
12. Do not pick up hot coals, cigarette butts, matches or any hot, smoking or burning objects.
13. Do not pick up flammable or combustible materials (lighter fluid, petrol, kerosene etc.) or use in the presence of explosive liquids or vapours.
14. Do not vacuum up harmful or toxic material (chlorine, bleach, ammonia, drain cleaner etc.).
15. Do not vacuum up hard or sharp objects such as glass, nails, screws, coins, etc.
16. Do not use without ALL of the filters in place.
17. Take extra care when vacuuming on stairs.
18. Keep vacuuming area well lit.


19. Store the vacuum cleaner in a cool, dry area.


20. Turn off the on/off switch before unplugging the vacuum cleaner


21. Use only SAA approved 10 amp extension cords. Non-approved cords may overheat. Care should be taken to arrange the cord so that the cord cannot be tripped over.

22. Damaged cord to be replaced by manufacturer or authorised Vax service agent.


23. We recommend the use of a residual current device with a residual current rating of 30mA or less.

 **WARNING:** Always switch off and unplug the vacuum cleaner from the electrical outlet before assembling, opening or emptying the dirt container, or before connecting/disconnecting the attachments.

 **CAUTION:** The vacuum cleaner is a very powerful unit. Before plugging the cord into the electrical outlet, make sure the switch is in the 'off' position. Hold the vacuum cleaner firmly when starting and in use.

 **IMPORTANT:** If the inlet, hose or telescopic tube is blocked, switch off the vacuum cleaner and remove the blockage(s) before re-starting the vacuum cleaner.

 **IMPORTANT:** Cleaning filters improves vacuum performance. Vax recommends that your filters should be checked and cleaned periodically. If your filters are washable make sure they are completely dry before inserting back into the vacuum cleaner.

 **IMPORTANT:** The motor is equipped with a thermal cut-out. If for any reason the unit should overheat, the thermostat will automatically turn the unit off. Should this occur, unplug the vacuum cleaner from the electrical outlet and turn off the switch. Remove dirt container and empty. Clean filters. Allow the unit to cool for approximately one hour. To re-start, plug into an electrical outlet and switch back on.

**This vacuum cleaner is intended for household use only and NOT for commercial or industrial use.**

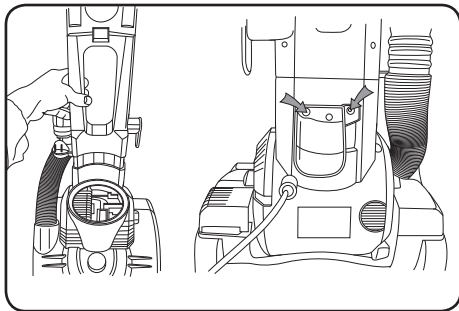
**PLEASE KEEP INSTRUCTIONS FOR FURTHER USE.**

# Operation

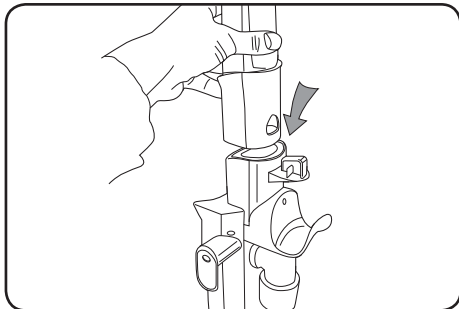
**!** **IMPORTANT:** Always unplug the vacuum cleaner from the electrical outlet before assembling or removing the accessories.

**Tool required:** Phillips head screwdriver

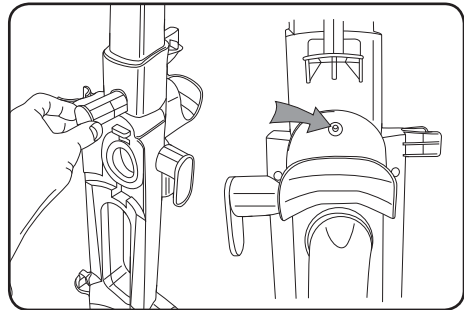
1. Place the base of the cleaner so it is facing away from you. Position the body so that the lower hose is on your right hand side. Push the body down into place.



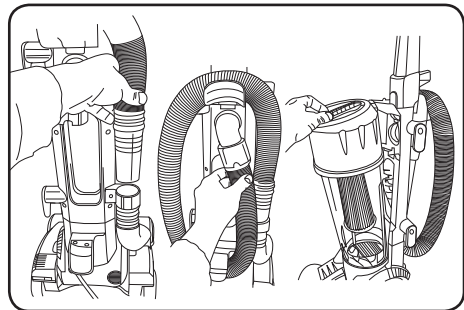
- 2 To secure the body in place insert two screws supplied into the back of the cleaner, through the hole located above the hose guide.



3. With the cord clip on the handle facing you place it onto the top of the body of the cleaner.



4. Push down firmly and line up the hole on the rear of the handle. Insert lock piece into hole and screw into place with the long screw.



5. Using the handle attach the main hose into the left hand side of the cleaner. Press down firmly to secure in place. The main hose can then be secured in the top and side of the hose holder.
6. Push the dirt container lid firmly on top of the dirt container and place it onto the cleaner. The canister lid will snap into place in the body of the cleaner.
7. Attach the tools to the tool holder. The dusting brush fits over a post at the back of the vacuum cleaner.

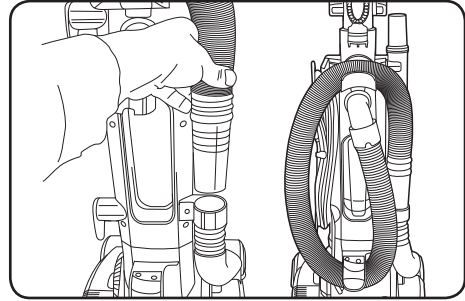
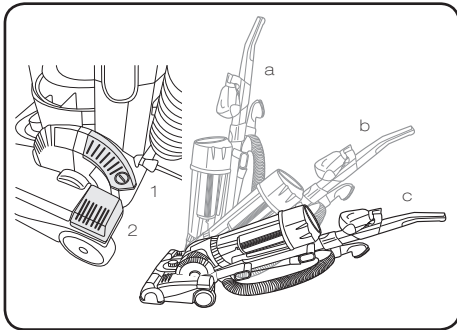
The crevice tool fits into the extension wand. The extension wand is located on the right hand side.

# Operation

1. Plug the cord into an electrical outlet and turn on by pressing the on/off pedal, located on the back left of the cleaner.

To unlock the handle from the upright position press the handle release pedal (2) down.

Move the handle to the desired position (a) for storage and position (b) for normal operation. To clean under furniture, press the release pedal again and use position (c).



2. Remove the hose from the hose holder.

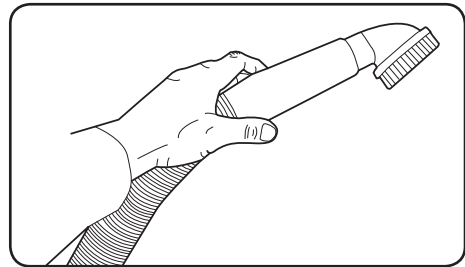
3. For hard to reach areas when additional hose length is required, use the extension wand. It fits over the end of the hose handle.

4. Choose the accessory that suits your need or use the hose alone.

5. To fit the attachments push them firmly on to the end of the extension wand or hose handle. To remove the tool, twist and pull apart gently.

**WARNING:** This cleaner has a constantly rotating brush bar which, when left in contact with lino, parquet and other hard flooring could potentially cause some damage to the floor surface.

**NOTE:** Vax recommends that you raise the height of the brush bar when using this cleaner on lino and hard flooring. Vax cannot be held responsible for damage to these surfaces if the customer fails to take notice of this recommendation.



## Accessories

**NOTE:** This unit is fitted with a constantly rotating brush bar. To avoid damage to your carpet, ensure the unit is not left on the stair tread when using the accessories.

1. Make sure the vacuum cleaner has been switched off and is in an upright position. Remove the lower hose by twisting and pulling away from the side connector.

# Maintenance

## Dirt Container & Filter: Removal and Replacement

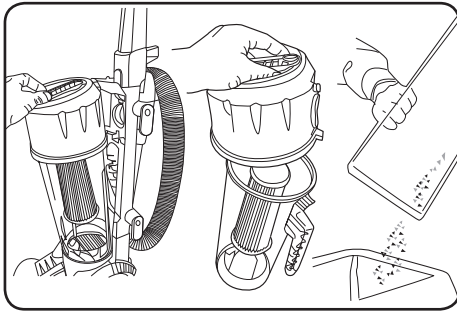
**⚠ WARNING:** To reduce the risk of injury from moving parts, unplug before servicing.

**NOTE:** Unplug the vacuum cleaner before changing filter.

**NOTE:** For best performance, replace filter annually depending on level of use.

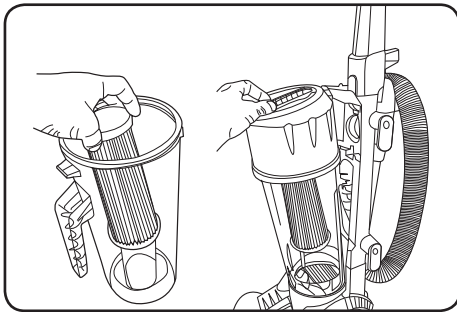
## Dirt Container & Filter: Removal and Replacement

1. Make sure the vacuum cleaner has been switched off and unplugged from the mains supply. To remove the dirt container from the vacuum cleaner press the release catch and pull it forward.



2. To remove the lid of the dirt container hold the top and the side handles firmly and turn the lid anti-clockwise. Pull the lid away from the body of the dirt container.

Empty all the dust and dirt from the dirt container.



1. The filter inside the dirt container should be replaced every 12 months, depending on level of use. It should be cleaned each time the dirt container is emptied. Remove it by grasping the ring at the top of the filter.
2. Twist and pull the filter out. To clean it, tap it gently against the side of a dustbin. Do not use a brush to clean it as this may damage the filter.
3. Replace the filter into the dirt container. Push it firmly into place to prevent dust and dirt leaking out. Replace the canister lid turning clockwise and return the dust container to unit.

# FAQs



**WARNING:** To reduce the risk of personal injury, unplug the vacuum cleaner before performing maintenance/ troubleshooting checks.

Problem	Possible Reason	Possible Solution
Vacuum cleaner won't run	1. Not properly plugged into electrical socket.	1. Plug unit in firmly.
	2. No electricity in the electrical outlet.	2. Check fuse or breaker in home. Replace fuse/reset breaker.
	3. On/ Off switch not turned on.	3. Push On/ Off switch to on.
	4. Motor thermostat tripped.	4. Switch off and unplug the vacuum cleaner. Leave for one hour before switching the vacuum cleaner back on.
	5. Blown fuse/ tripped breaker.	5. Reset house circuit breaker or replace fuse.
Cleaner won't pick up/ loss of suction	1. Dirt Container not installed properly.	1. Review dirt container replacement - Pg. 6.
	2. Dirt container full or blocked.	2. Empty dirt container.
	3. Clogged filters.	3. Remove, clean and replace filters.
	4. Broken or worn belt.	4. Replace the belt.
	5. Nozzle/hose or hose inlet is clogged.	5. Remove nozzle/hose and obstruction.
Accessories won't pick up	1. Accessories not attached.	1. Refer to Operation Section - Pg. 5.
Dust escaping from the vacuum cleaner	1. Dirt container full.	1. Empty dirt container.
	2. Dirt container not installed properly.	2. Review dirt container replacement - Pg. 6.
	3. Hose not installed properly.	3. Review vacuum cleaner assembly - Pg. 2.



we  to help

Don't take your machine back to the shop, simply contact us

[www.vax.com.au](http://www.vax.com.au)

AU: 1300 361 505  
NZ: 0800 800 900

# Other Information

## Vax Service & Help

Vax Customer Careline AU: 1300 361 505 / NZ: 0800 800 900

Monday - Friday 8.30am to 5.30pm

Any queries or concerns about using the Vax, call the Vax Careline. Calls are charged at the Standard national rate.

Please make a note of the serial number and model number of the carpet cleaner before calling. For the nearest Service Agent, please call the Vax Customer Careline or visit [www.vax.com.au](http://www.vax.com.au)

## Technical Specification

Voltage:	220-240V ~50Hz
Wattage:	1900W
Air Watts:	280 AW
Capacity:	3.5L
Filters:	Pre-motor: Washable Post-motor: Foam Washable Central Filter: HEPA Washable
Cord Length:	6m
Weight:	7kg

Subject to technical change without notice.



N197



Double Insulated



Indoor Use



Read Instructions



Waste electrical products should not be disposed of with household waste. Please recycle where facilities exist. Check with your Local Authority or retailer for recycling advice.

# Notes

# Notes

# Notes



we  clean

Distributed by Techtronic Industries Ptd. Ltd.  
Level 1, 666 Doncaster Rd, Doncaster, Australia 3108.  
[www.vax.com.au](http://www.vax.com.au) Service Line: AU: 1300 361 505 / NZ: 0800 800 900