

VAXCARE

Please register your warranty. Send in your completed Warranty Card.

If you require any further assistance or advice about any

VAX please call VAXCARE on

1300 36 4040 (Australia - cost of a local call)

and **0800 800 900** (NZ)



VAX Appliances (Australia) Pty Ltd
A.C.N. 009099736

296 Victoria Road Malaga Western Australia 6090.

EMAIL: vaxcare@vax.com.au

WEBSITE: www.vax.com.au

vax AUST. & NZ BRANCHES

• NSW/ACT

Unit 2, 30 Heathcote Road,
Moorebank, NSW 2170
Telephone: (02) 9602 6800
Facsimile: (02) 9602 6900

• VICTORIA/TASMANIA

Unit 3, 46 Burgess Road,
Bayswater North, VIC 3153
Telephone: (03) 9761 7160
Facsimile: (03) 9761 7175

• SOUTH AUSTRALIA/ NORTHERN TERRITORY

Unit 3, 75-77 Grange Road,
Welland, SA 5007
Telephone: (08) 8340 2222
Facsimile: (08) 8346 7933

• QUEENSLAND

186 Kerry Road,
Archerfield, QLD 4108
Telephone: (07) 3216 7350
Facsimile: (07) 3216 7375

• WESTERN AUSTRALIA

296 Victoria Road,
Malaga, WA 6090
Telephone: (08) 9247 8100
Facsimile: (08) 9247 8192

• VAX APPLIANCES NEW ZEALAND

27 Clemow Drive
Mt Wellington, Auckland
Telephone: (09) 5736220
Facsimile: (09) 5736224
Email: vaxnz@vax.co.nz



www.vax.com.au

VaxCare:
AUST: 1300 36 4040
NZ: 0800 800 900



**performance models V-091 &
V-091X**

BAGLESS CYLINDER VACUUM CLEANER
WITH HEPA FILTRATION

Instruction Manual

Please read carefully before using the cleaner.
Always fully extend the mains cable before use.

1. Safety Information

FOR HOUSEHOLD USE ONLY

When using the vacuum cleaner, basic safety precautions should always be observed, including the following:

1. Only use the vacuum cleaner indoors on dry surfaces.
2. Turn off the vacuum cleaner controls before connecting or disconnecting from the mains supply.
3. Always unplug the vacuum cleaner before connecting or disconnecting the vacuum hose and accessories.
4. This appliance is not intended for use by young or infirm persons unless they have been adequately supervised by a responsible person to ensure that they can use the appliance safely. Young children should be supervised to ensure that they do not play with the appliance.
5. Use only as described in this manual. Use only the manufacturer's recommended attachments.
6. Do not use the vacuum cleaner if it has been dropped, damaged, left outdoors or dropped into water. Do not use the vacuum cleaner with a damaged cord or plug. If the supply cord or plug is damaged, return the vacuum cleaner to a Vax Authorised Service Agent for examination, repair or adjustment.
7. Do not pull or carry by the cord. Do not use the cord as a handle, close a door on the cord or pull the cord around sharp edges or corners. Do not run the vacuum cleaner over the cord. Keep the cord away from heated surfaces.
8. Do not handle the plug or vacuum cleaner with wet hands. Do not use outdoors or on wet surfaces or to vacuum up fluids.
9. Do not put any objects into openings. Do not use with any openings blocked and do not restrict air flow. Keep all openings free of dust, lint, hair or anything that may reduce airflow.
10. Keep hair, loose clothing, fingers and all parts of the body away from openings and moving parts.
11. Do not pick up hot coals, cigarette butts, matches or any hot, smoking or burning objects.
12. Do not pick up flammable or combustible materials (lighter fluid, petrol, kerosene, etc) or use in the presence of explosive liquids or vapours.
13. Do not vacuum up harmful or toxic material (chlorine bleach, ammonia, drain cleaner, etc).
14. Do not vacuum up hard or sharp objects such as glass, nails, screws, coins, etc.

15. Do not use without the filters in place.
16. Take extra care when vacuuming on stairs.
17. Keep vacuuming area well lit.
18. Store the vacuum cleaner indoors in a cool, dry area.
19. Turn off the on/off switch before unplugging the vacuum cleaner.
20. Use only approved extension cords. Non-approved extension cords may overheat. Care should be taken to arrange the cord so that the cord cannot be pulled or tripped over.

WARNING: Always switch off and unplug the vacuum cleaner from the electrical outlet before assembling, opening or emptying the dirt container, or before connecting/disconnecting the attachments.

CAUTION: The vacuum cleaner is a very powerful unit. Before plugging the cord into the electrical outlet, make sure the switch is in the 'off' position.

IMPORTANT: If the inlet, hose or telescopic tube is blocked, switch off the vacuum cleaner and remove the blockage(s) before re-starting.

IMPORTANT: Regular washing and cleaning of filters assists in maintaining vacuum performance. Make sure all the filters are completely dry before inserting back into the vacuum cleaner.

This vacuum cleaner is intended for household use only and not for commercial or industrial use.

Motor Thermostat

IMPORTANT: The motor is equipped with a thermal cut-out. If for any reason, the vacuum cleaner should over-heat, the thermostat will automatically turn the unit off. Should this occur, unplug the vacuum cleaner from the electrical outlet and turn the unit off. Remove the dirt container and empty. Clean or replace the filters. Allow the cleaner to cool for approximately one (1) hour before re-starting.

Replacement Filters

Replacement filters are available from your Vax stockist or Vax direct. Phone Vaxcare or visit: www.vax.com.au

9. Troubleshooting

WARNING: To reduce the risk of personal injury, unplug the vacuum cleaner before performing maintenance/troubleshooting checks.

PROBLEM: Vacuum cleaner won't run

Cause: Not properly plugged into wall outlet.

Solution: Plug in securely.

Cause: On/off switch not turned on.

Solution: Push on/off switch to on.

Cause: Motor thermostat has tripped.

Solution: Switch off and unplug the vacuum cleaner. Leave for one (1) hour before switching the vacuum cleaner back on.

PROBLEM: Cleaner won't pick up/loss of suction

Cause: Dirt container not installed properly.

Solution: Review dirt container replacement.

Cause: Dirt container full or blocked.

Solution: Empty dirt container.

Cause: Clogged filters.

Solution: Remove, clean and replace filters.

PROBLEM: Accessories won't pick up

Cause: Accessories not attached correctly.

Solution: Refer to section 5.

Cause: Accessories clogged.

Solution: Remove blockage.

PROBLEM: Dust escaping from the vacuum cleaner

Cause: Dirt container full.

Solution: Empty dirt container.

Cause: Dirt container not installed correctly.

Solution: Review dirt container replacement.

Cause: Hose not installed correctly.

Solution: Review installation.

Cause: Filter not installed completely.

Solution: Remove, clean and replace filters.

10. VAXCARE Service & Help: AUSTRALIA 1300 36 4040 NEW ZEALAND 0800 800 900

If you have any queries or concerns about using your Vax, call VAXCARE. Please make a note of the serial number and model number of the appliance before calling.

(Aust only: Mon-Fri. 10.00am to 6.00pm. EST)

Calls are charged at the local rate.

An answerphone is available outside of these hours.

We will return your call the next working day.

There are over 300 approved Vax Service Agents in Australia and New Zealand. For the nearest Service Agent, please refer to your Vax warranty or call VAXCARE or visit www.vax.com.au

11. Technical Specification

Voltage:	220-240V~50Hz
Wattage:	2200W Model V-091 2400W Model V-091X
Capacity:	3 litres approx
Filters:	Washable central HEPA filter [with filter shroud] Post-motor filter - washable
Cord length:	6.0m (approx)
Weight:	6.0 kg (machine weight)
Part No.:	77000 Model V-091 17000 Model V-091X

Subject to technical change without notice.

6. Dirt Container & Filters: Removal & Replacement

IMPORTANT: Always unplug the vacuum cleaner from the electrical outlet before removing the dirt container.

IMPORTANT: Do NOT use the vacuum cleaner without ALL of the filters in place.

Emptying the Dirt Container

1. Press the button located on the dirt container handle to pull out the dirt container (Fig.6/1)

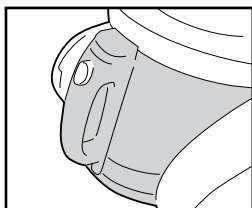


Fig.6/1

2. Lift up the safety latch (Fig.6/2)

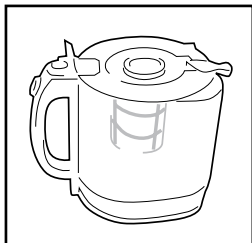


Fig.6/2

3. Press the button located under the safety latch to empty the dirt into a rubbish bin. When all of the dirt has fallen, close the dirt container flap, close the safety latch and replace the dirt container.

Cleaning the Central HEPA Filter

1. Remove the dirt container as directed.
2. Release the filter safety latch located on top of the dirt container and pull out the central filter unit.
3. Remove the filter shroud by rotating it anticlockwise and pulling away from the central filter (Fig.6/4).

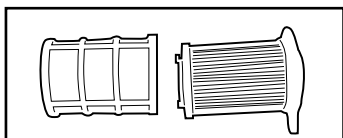


Fig.6/4

4. Gently tap the filter against the side of a rubbish bin to remove excess dirt.
5. The central filter can be washed in warm water (max 40°C). Allow to air dry completely before replacing.

- NOTE:** Do NOT use any detergents or boiling water to wash the filter. Vax recommends washing the filter every time you empty the dust container.
6. Return the central filter to the filter shroud and rotate clockwise to secure.
 7. Replace the central filter unit to the dirt container ensuring the filter safety catch has been reset.
 8. Replace the dirt container.

Post-motor Filter

NOTE: This is located behind cover on opposite side to cord rewind on your vacuum cleaner.

1. Release the post-motor cover and remove the filter by pressing in the catch on the left hand side.
2. The post-motor filter can be washed in warm water (max 40°C). Allow to air dry for 24 hours before replacing.

NOTE: Do NOT use any detergents or boiling water to wash the filter. Vax recommends washing the filter every 3-6 months.

3. Replace the post-motor filter and cover before re-starting the vacuum cleaner.

7. Cleaning Blockages

WARNING: To reduce the risk of personal injury, the power cord must be disconnected before performing maintenance/troubleshooting checks.

1. Turn the vacuum cleaner off and unplug from the electrical outlet.
2. The flexible hose or X-tend (Model V-091X only) can be disconnected from the vacuum cleaner by pushing in the button on the hose and pulling away from the machine. Remove any blockages found then reconnect the hose securely.

8. Storage

IMPORTANT: Always unplug the vacuum cleaner from the electrical outlet and rewind the power cord as directed before storing.

NOTE: Always store the vacuum cleaner base down.

2. Components Diagram

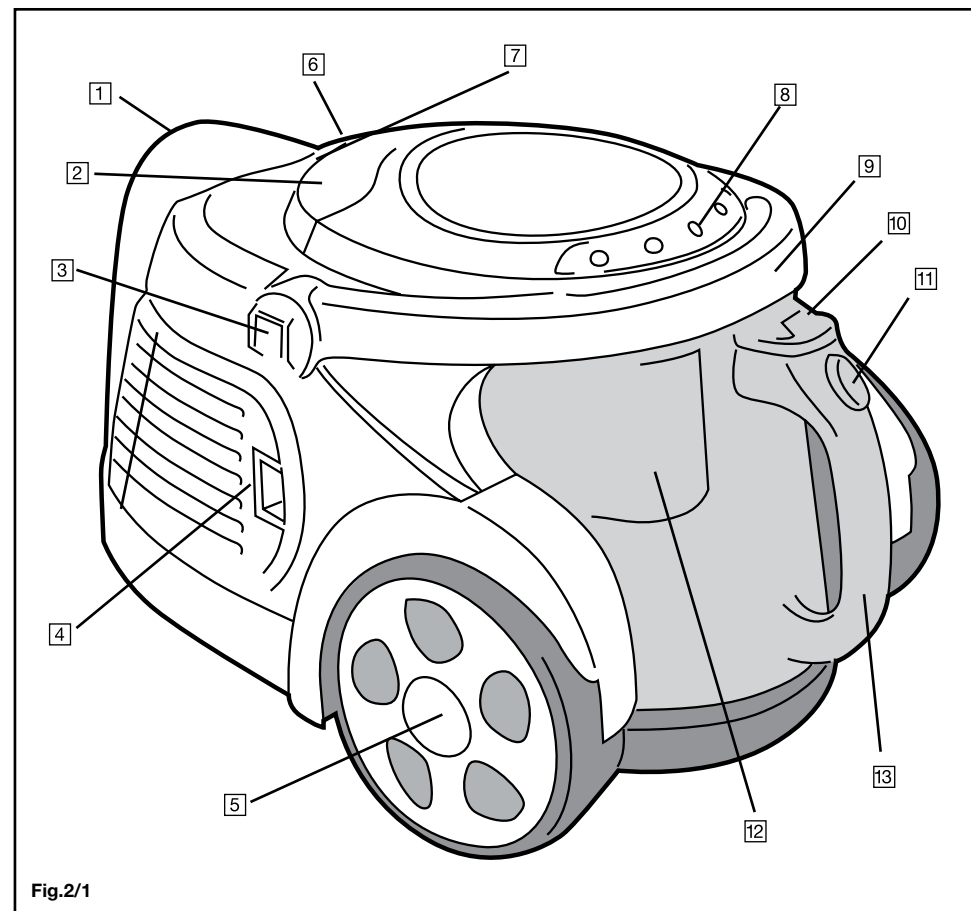
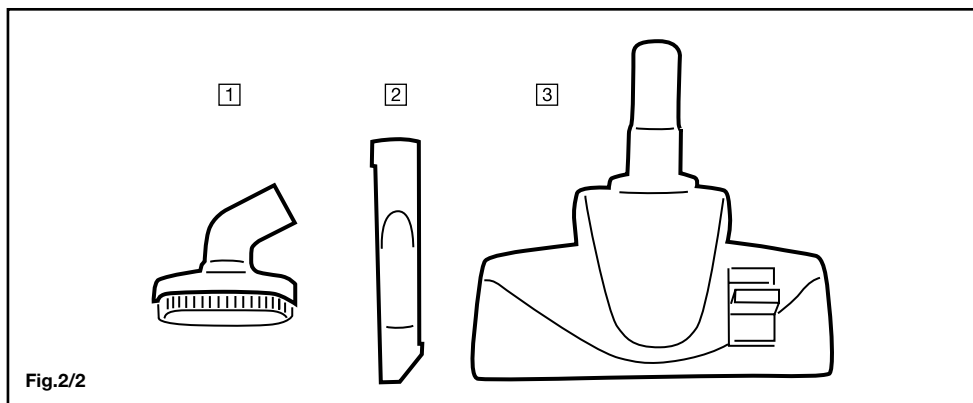


Fig.2/1

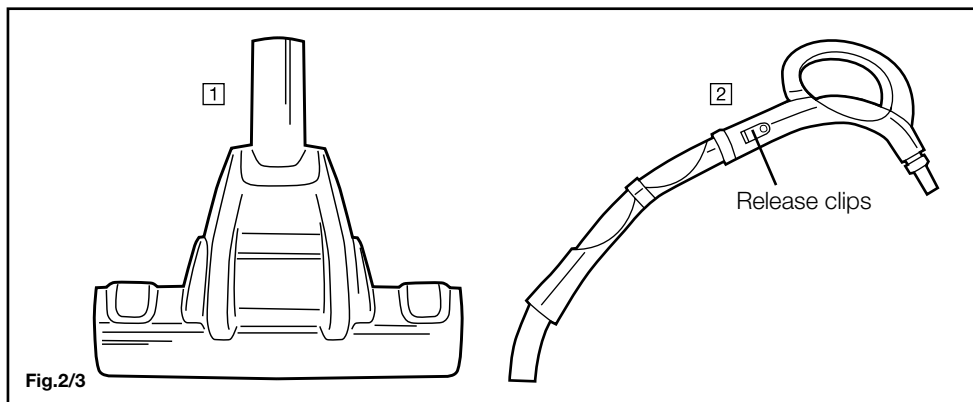
- | | |
|---------------------------|---|
| 1 Hose inlet | 10 Quick-release dirt container button (located under safety latch) |
| 2 On/off button | 11 Dirt container release button |
| 3 Storage slot | 12 Central HEPA filter |
| 4 Post-motor filter cover | 13 Dirt container handle |
| 5 Wheel | |
| 6 Cord rewind button | |
| 7 Variable power dial | |
| 8 5-stage LED display | |
| 9 Carry handle | |

Accessories V-091 & V-091X



- 1 Dusting brush/Upholstery tool
- 2 Crevice tool
- 3 Combination floor head

Additional Accessories V-091X Only

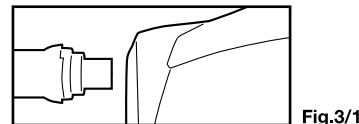


- 1 TurboBrush
- 2 X-tend (Extra length suction hose)

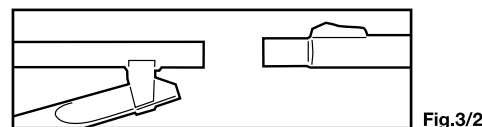
3. How to Assemble

IMPORTANT: Always unplug the vacuum cleaner from the electrical outlet before assembling or removing the accessories.

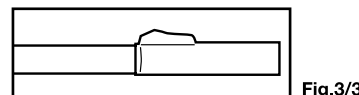
1. Insert the flexible hose into the inlet on the main body of the vacuum cleaner. Push in until it clicks into position (Fig.3/1).



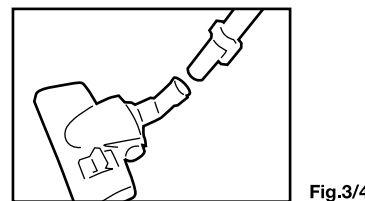
2. Push the telescopic extension tube on to the end of the handle (Fig.3/2).



3. The telescopic extension tube can be lengthened or shortened by pushing the button in and sliding the tube apart or together as required (Fig.3/3).



4. Fit the combination floor head or turbobrush (Model V-091X only) by pushing onto the extension tube (Fig.3/4).



4. How to Operate

Cord Release

Fully extend the power cord. A yellow mark on the power cord indicates the recommended cord length. DO NOT EXTEND THE CORD BEYOND THIS MARK.

On/off Button

1. Insert the power plug into the electrical outlet. Make sure the vacuum cleaner is switched off.
2. Press the on/off switch, located on the top of the vacuum cleaner, to switch on the vacuum cleaner and press the button again to turn the vacuum cleaner off.

Carpet Cleaning

For carpet and rug cleaning, press the rocker switch on the combination floor head to raise the brushes.

Hard Floor Cleaning

For hard floor cleaning, press the rocker switch on the combination floor head to lower the brushes.

Cord Rewind

To rewind the power cord, press the cord rewind button located on the top of the vacuum cleaner, and guide the power cord with one hand. Rewind 1-1½ metres of cord at a time. This will prevent the cord from whipping which could cause damage or injury.

Variable Power

Located between the on/off and cord rewind buttons there is a variable power dial. Slide this clockwise and anti-clockwise to adjust the suction power. The 5-stage indicator lights suggest the suction power for common tasks.

Carry Handle

Lift the carry handle located at the rear end of the vacuum cleaner to move from room to room. Do not pick vacuum cleaner up by dirt container handle.

Hose Storage

For convenience there is a slot located on either side of the vacuum cleaner where the floor tool and hose can be parked for carrying and storage.

5. Accessories

1. The accessories can be attached directly to the handle by removing the telescopic tubes and pushing in the desired accessory.
2. The accessories can also be attached to the telescopic extension tube for extra reach. Remove the combination floor head and push on the desired accessory.

Crevice tool: for crevices, corners and cracks, etc.

Dusting brush: for delicate surfaces.

Upholstery tool: for carpet, upholstery, stairs, etc.

TurboBrush: (Model V-091X only). For pet hair and larger carpeted areas. **NOTE:** not recommended for hard floors.

X-tend: (Model V-091X only).

1. The hose fits directly into the hose inlet on the vacuum cleaner.
2. The handle fits directly on to the telescopic extension tube.
3. To release the extra length hose, **press the release clips** located on the handle. Refer to Fig.2/3 on page 4.