

VAXCARE

Please register your warranty. Send in your completed Warranty Card.

If you require any further assistance or advice about any

VAX please call VAXCARE on

1300 36 4040 (Australia - cost of a local call)

and **0800 800 900** (NZ)



VAX Appliances (Australia) Pty Ltd
A.C.N. 009099736

296 Victoria Road Malaga Western Australia 6090.

EMAIL: vaxcare@vax.com.au

WEBSITE: www.vax.com.au

vax AUST. & NZ BRANCHES

• NSW/ACT

Unit 2, 30 Heathcote Road,
Moorebank, NSW 2170
Telephone: (02) 9602 6800
Facsimile: (02) 9602 6900

• VICTORIA/TASMANIA

Unit 3, 46 Burgess Road,
Bayswater North, VIC 3153
Telephone: (03) 9761 7160
Facsimile: (03) 9761 7175

• SOUTH AUSTRALIA/ NORTHERN TERRITORY

Unit 3, 75-77 Grange Road,
Welland, SA 5007
Telephone: (08) 8340 2222
Facsimile: (08) 8346 7933

• QUEENSLAND

186 Kerry Road,
Archerfield, QLD 4108
Telephone: (07) 3216 7350
Facsimile: (07) 3216 7375

• WESTERN AUSTRALIA

296 Victoria Road,
Malaga, WA 6090
Telephone: (08) 9247 8100
Facsimile: (08) 9247 8192

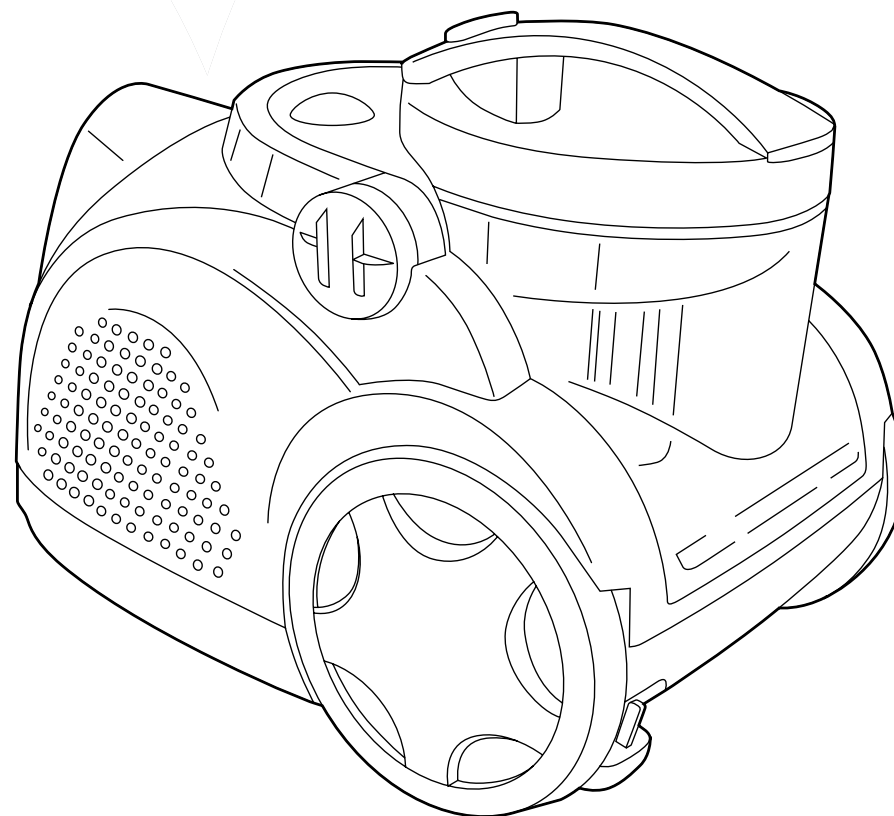
• VAX APPLIANCES NEW ZEALAND

27 Clemow Drive
Mt Wellington, Auckland
Telephone: (09) 5736220
Facsimile: (09) 5736224
Email: vaxnz@vax.co.nz



www.vax.com.au

Eclipse
MODEL
V-109



VaxCare:
AUST: 1300 36 4040
NZ: 0800 800 900

Instruction Manual

Please read carefully before using the cleaner.
Always fully extend the mains cable before use.

1. Safety Information

FOR HOUSEHOLD USE ONLY

When using the vacuum cleaner, basic safety precautions should always be observed, including the following:

1. Only use the vacuum cleaner indoors on dry surfaces.
2. Turn off the vacuum cleaner controls before connecting or disconnecting from the mains supply.
3. Always unplug the vacuum cleaner before connecting or disconnecting the vacuum hose and accessories.
4. This appliance is not intended for use by young or infirm persons unless they have been adequately supervised by a responsible person to ensure that they can use the appliance safely.
Young children should be supervised to ensure that they do not play with the appliance.
5. Use only as described in this manual.
Use only the manufacturer's recommended attachments.
6. Do not use the vacuum cleaner if it has been dropped, damaged, left outdoors or dropped into water. Do not use the vacuum cleaner with a damaged cord or plug. If the supply cord or plug is damaged, return the vacuum cleaner to a Vax Authorised Service Agent for examination, repair or adjustment.
7. Do not pull or carry by the cord. Do not use the cord as a handle, close a door on the cord or pull the cord around sharp edges or corners. Do not run the vacuum cleaner over the cord. Keep the cord away from heated surfaces.
8. Do not handle the plug or vacuum cleaner with wet hands. Do not use outdoors or on wet surfaces.
9. Do not put any objects into openings. Do not use with any openings blocked and do not restrict air flow. Keep all openings free of dust, lint, hair or anything that may reduce airflow.
10. Keep hair, loose clothing, fingers and all parts of the body away from openings and moving parts.
11. Do not pick up hot coals, cigarette butts, matches or any hot, smoking or burning objects.
12. Do not pick up flammable or combustible materials (lighter fluid, petrol, kerosene, etc) or use in the presence of explosive liquids or vapours.

13. Do not vacuum up harmful or toxic material (chlorine bleach, ammonia, drain cleaner, etc).
14. Do not vacuum up hard or sharp objects such as glass, nails, screws, coins, etc.
15. Do not use without the filters in place.
16. Take extra care when vacuuming on stairs.
17. Keep vacuuming area well lit.
18. Store the vacuum cleaner indoors in a cool, dry area.
19. Turn off the on/off switch before unplugging the vacuum cleaner.
20. Use only approved extension cords. Non-approved extension cords may overheat. Care should be taken to arrange the cord so that the cord cannot be pulled or tripped over.

WARNING: Always switch off and unplug the vacuum cleaner from the electrical outlet before assembling, opening or emptying the dirt container, or before connecting/disconnecting the attachments.

CAUTION: The vacuum cleaner is a very powerful unit. Before plugging the cord into the electrical outlet, make sure the switch is in the 'off' position. Hold the vacuum cleaner firmly when starting.

IMPORTANT: If the inlet, hose or telescopic tube is blocked, switch off the vacuum cleaner and remove the blockage(s) before re-starting.

IMPORTANT: Washing filters assists in maintaining vacuum performance. Make sure all the filters are completely dry before inserting back into the vacuum cleaner.

This vacuum cleaner is intended for household use only and not for commercial or industrial use.

Motor Thermostat

IMPORTANT: The motor is equipped with a thermal cut-out. If for any reason the vacuum cleaner should over-heat, the thermostat will automatically turn the unit off. Should this occur, unplug the vacuum cleaner from the electrical outlet and turn off the switch. Remove the dirt container and empty. Clean or replace the filters. Allow the cleaner to cool for approximately one (1) hour before re-starting.

10. Troubleshooting

WARNING: To reduce the risk of personal injury, unplug the vacuum cleaner before performing maintenance/troubleshooting checks.

PROBLEM: Vacuum cleaner won't run

Cause: Not properly plugged into wall outlet.

Solution: Plug in securely.

Cause: No electricity in the electrical outlet.

Solution: Check fuse or breaker.

Cause: On/off switch not turned on.

Solution: Push on/off switch to on.

Cause: Motor thermostat has tripped.

Solution: Switch off and unplug the vacuum cleaner. Leave for one (1) hour before switching the vacuum cleaner back on.

Cause: Blown fuse/tripped breaker.

Solution: Reset circuit breaker or replace fuse.

PROBLEM: Cleaner won't pick up/loss of suction

Cause: Dirt container not installed properly.

Solution: Review dirt container replacement.

Cause: Dirt container full or blocked.

Solution: Empty dirt container.

Cause: Clogged filters.

Solution: Remove, clean and replace filters.

PROBLEM: Accessories won't pick up

Cause: Accessories not attached correctly.

Solution: Refer to section 5.

PROBLEM: Dust escaping from the vacuum cleaner

Cause: Dirt container full.

Solution: Empty dirt container.

Cause: Dirt container not installed correctly.

Solution: Review dirt container replacement.

Cause: Filter not installed completely.

Solution: Remove, clean and replace filters.

11. VAXCARE Service & Help: AUSTRALIA 1300 36 4040 NEW ZEALAND 0800 800 900

If you have any queries or concerns about using your Vax, call VAXCARE. Please make a note of the serial number and model number of the appliance before calling.

(Aust only: Mon-Fri. 10.00am to 6.00pm. EST)

Calls are charged at the local rate.

An answerphone is available outside of these hours.

We will return your call the next working day.

There are over 300 approved Vax Service Agents in Australia and New Zealand. For the nearest Service Agent, please refer to your Vax warranty or call VAXCARE or visit www.vax.com.au

12. Technical Specification

Voltage: 240V~50Hz

Wattage: 2000W

Capacity: 4 litres approx

Filters: Central filter - washable
Post-motor filter - washable

Cord length: 4.95m (approx)

Weight: 8.0 kg (machine weight)

Part No: 19000

Subject to technical change without notice.

7. Filters: Removal & Replacement

IMPORTANT: Always unplug the vacuum cleaner from the electrical outlet before removing the dirt container.

Cleaning the Central HEPA Filter

1. Remove the dirt container as directed.
2. Remove the gauze shroud from over the HEPA filter.
3. Rotate the central filter and pull away from the dirt container.
4. Gently tap the filter against the side of a rubbish bin to remove excess dirt.
5. The central HEPA filter and shroud can be washed in warm water (max 40°C). Allow to air dry for 24 hours before replacing.

NOTE: Do NOT use any detergents or boiling water to wash the filter. Vax recommends washing the filter every time you empty the dust container.

6. Return the central filter to the dirt container and twist until the filter is secure.
7. Fit the gauze filter shroud over the central HEPA filter and close the dust bin lid.
8. Return the dirt container to the vacuum cleaner.

Post-motor Filter

NOTE: This is located on the right side of the vacuum cleaner.

1. Release the post-motor filter cover by pressing in the catch at the top of the cover.
2. Remove the filter by sliding it to the left and pulling it out.
3. The post motor filter can be rinsed in warm water (max 40°C). Allow to air dry for 24 hours before replacing.

NOTE: Do NOT use any detergents or boiling water to wash the filter. Vax recommends rinsing the filter every 3-6 months.

4. Replace the post-motor filter and cover before restarting the vacuum cleaner.

IMPORTANT: Do NOT use the vacuum cleaner without ALL of the filters in place.

Replacement Filters

Replacement filters are available from your Vax stockist or Vax direct. Phone Vaxcare or visit: www.vax.com.au

8. Cleaning Blockages

WARNING: To reduce the risk of injury, the power cord must be disconnected before performing maintenance/troubleshooting checks.

1. Turn the vacuum cleaner off and unplug from the electrical outlet.
2. The flexible hose can be disconnected from the vacuum cleaner by pushing in the buttons on the hose and pulling away from the machine. Remove any blockages found then reconnect the hose securely.

9. Storage

IMPORTANT: Always unplug the vacuum cleaner from the electrical outlet and rewind the power cord as directed before storing.

NOTE: Always store the vacuum cleaner base down.

2. Parts Overview

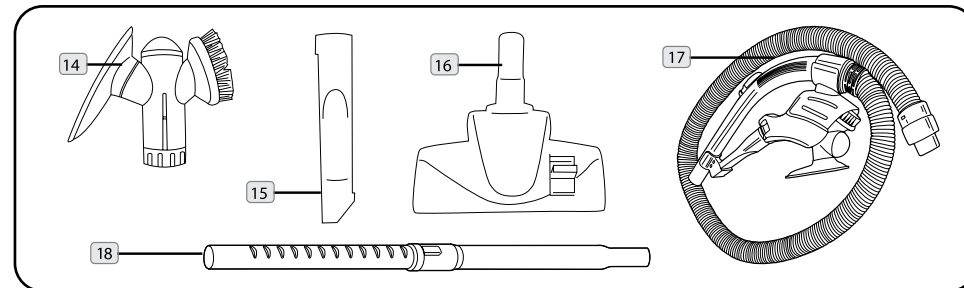
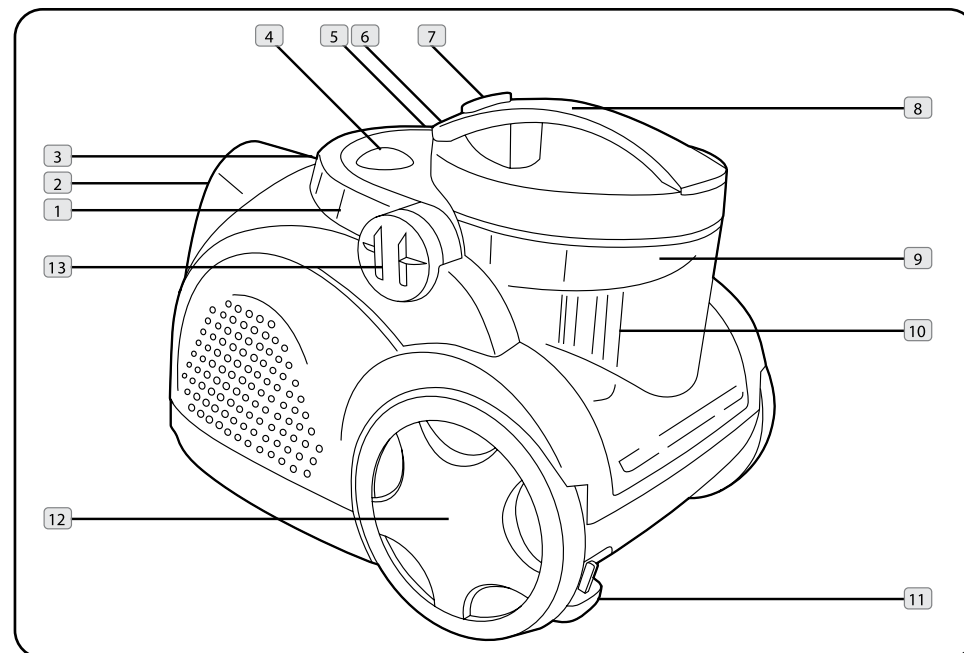


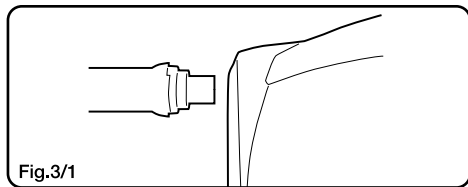
Fig.2/1

- | | |
|----------------------------------|----------------------------|
| 1. Carry handle | 11. Plug |
| 2. Hose inlet | 12. Wheel |
| 3. Auto cord rewind | 13. Parking slot |
| 4. On/off button | Accessories |
| 5. Variable power | 14. 2-in1 tool |
| 6. Post-motor filter | 15. Crevice tool |
| 7. Dirt container release button | 16. Combination floor tool |
| 8. Dirt container handle | 17. Flexible Hose |
| 9. Dirt container | 18. Telescopic Tube |
| 10. Central filter | |

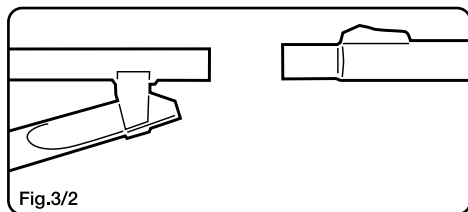
3. How to Assemble

IMPORTANT: Always unplug the vacuum cleaner from the electrical outlet before assembling or removing the accessories.

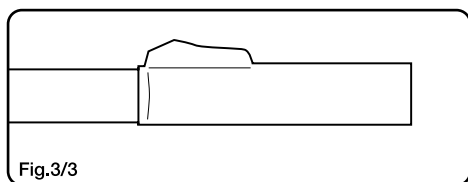
1. Insert the flexible hose into the inlet on the main body of the vacuum cleaner. Push in until it clicks into position (Fig.3/1).



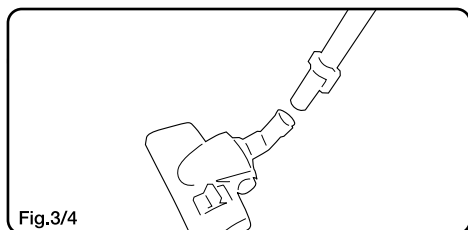
2. Push the telescopic extension tube on to the end of the handle (Fig.3/2).



3. The telescopic extension tube can be lengthened or shortened by pushing the button in and sliding the tube as required (Fig.3/3).



4. Fit the combination floor head by pushing onto the extension tube (Fig.3/4).



Cord Release

Fully unwind the power cord. A yellow mark on the power cord indicates the recommended cord length. Do not extend the cord beyond this mark.

On/off Button

1. Insert the power plug into the electrical outlet. Make sure the vacuum cleaner is switched off.
2. Press the on/off button located on the top of the vacuum cleaner, to switch on the vacuum cleaner and press the button again to turn the vacuum cleaner off.

Carpet Cleaning

For carpet and rug cleaning, press the rocker switch on the combination floor head to raise the brushes.

Hard Floor Cleaning

For hard floor cleaning, press the rocker switch on the combination floor head to lower the brushes.

Variable Power

Located opposite the on/off button there is a variable power dial. Slide this clockwise and anti-clockwise to adjust the suction power.

Floor Tool and Hose Storage

For convenience there is a slot located on either side of the vacuum cleaner next to the carry handle where the floor tool and hose can be parked for carrying and storage.

Carry Handle

Use the carry handle located in the middle of the vacuum cleaner (inc. auto cord rewind button) to move from room to room.

Cord Rewind

To rewind the power cord, press the cord rewind button located on the top of the vacuum cleaner, and guide the power cord with one hand. Rewind 1-1½ metres of cord at a time. This will prevent the cord from whipping which could cause damage or injury.

5. Accessories

1. The accessories can be attached directly to the handle by removing the telescopic tubes and pushing in the desired accessory.
2. The accessories can also be attached to the telescopic extension tube for extra reach. Remove the combination floor head and push on the desired accessory.

Crevice tool: for crevices, corners and cracks, etc.

2-in-1 Tool

Dusting brush: for delicate surfaces.

Upholstery tool: for carpet, upholstery, stairs, etc

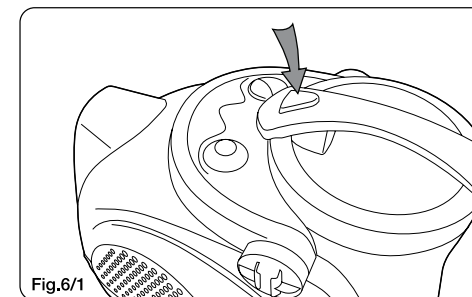
6. Dirt Container Removal & Replacement:

IMPORTANT: Always unplug the vacuum cleaner from the electrical outlet before removing the dirt container.

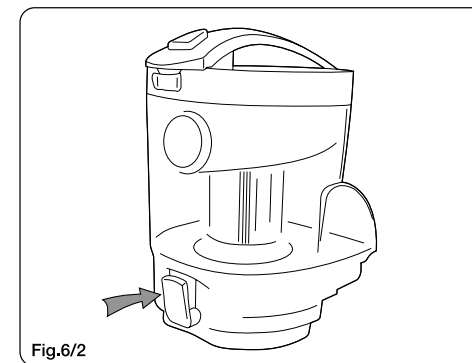
IMPORTANT: Do NOT use the vacuum cleaner with ALL of the filters in place.

Emptying the Dirt Container

1. Press the button located on the dirt container handle to pull out the dirt container (Fig.6/1)



2. Holding the dirt container over a rubbish bin press the button on the side of the container to release dirt (Fig.6/2)



3. After dirt is released, close the dirt container flap and return the dirt container to the vacuum cleaner.