



we  clean

User Guide

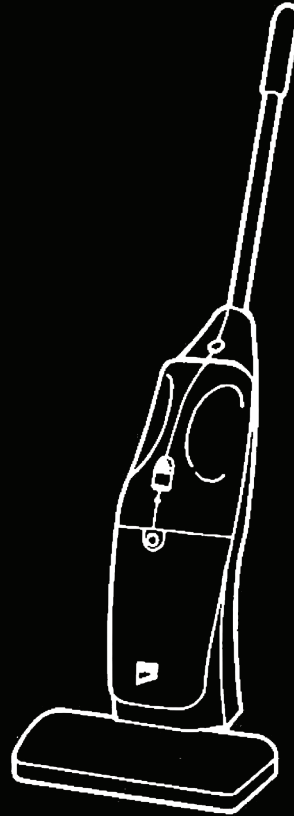
Vax Service line AU: 1300 361 505

NZ: 0800 800 900

Cordless Stick Vac



NATIONAL
BREAST CANCER FOUNDATION
FUNDING RESEARCH FOR PREVENTION AND CURE
GOLD PARTNER



Get Cleaning...

What's your Vax model number?

B C F S T

What's your serial number? (Located on the base of the machine)

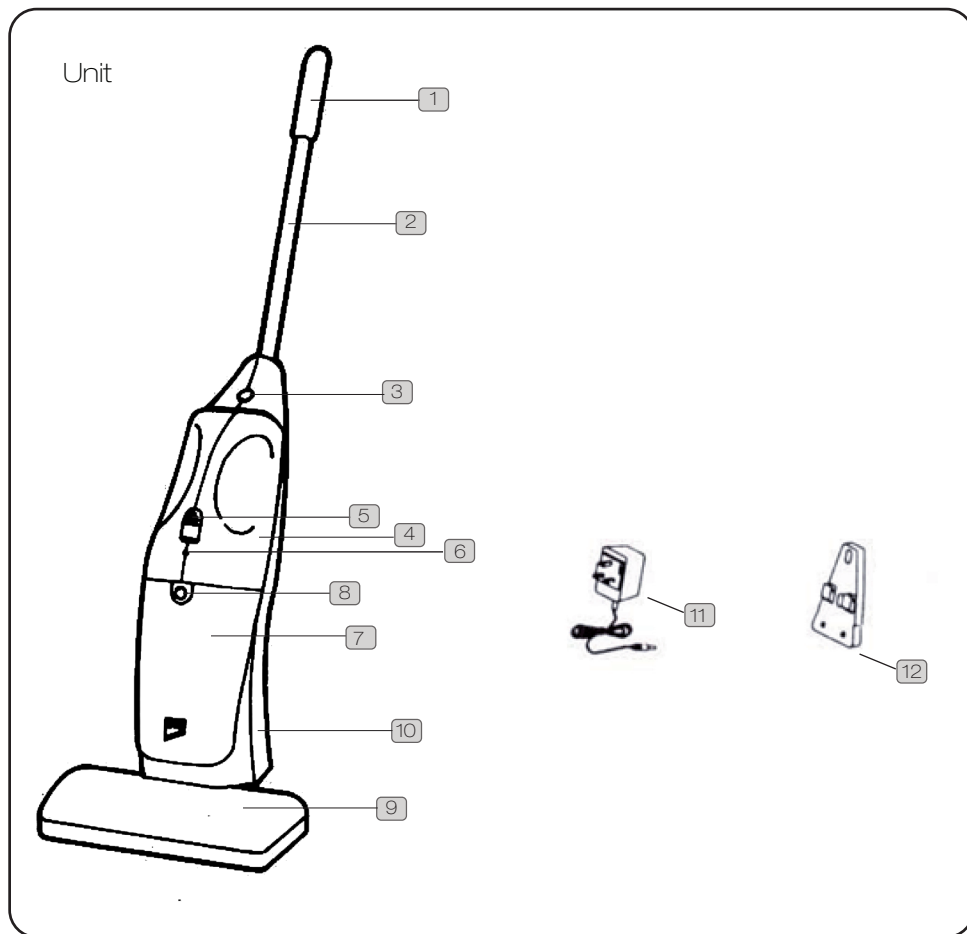
- - - -

Note these down in case you need them in future. Please keep instructions for further use.

www.vax.com.au

BCFST

Machine Overview



- 1 Grip Handle
- 2 Adjustable Wand
- 3 Release Button
- 4 Handheld Vacuum
- 5 On/Off Switch

- 6 Charge Light
- 7 Dust Cup
- 8 Dust Cup Release Button
- 9 Brush Head base for Stick Vacuum
- 10 Support Spine for Stick Vacuum

- 11 Transformer Adaptor
- 12 Wall Bracket

General Safety Information

FOR HOUSEHOLD USE ONLY.

When using the vacuum cleaner, basic safety precautions should always be observed, including the following:

1. Only use the vacuum cleaner indoors on dry surfaces.
2. Turn off the vacuum cleaner controls before disconnecting or connecting from the mains supply.
3. Always turn off the vacuum cleaner before connecting or disconnecting the vacuum.
4. Children should be supervised to ensure that they do not play with the appliance.
5. This appliance is not intended for use by persons (including children) with reduced physical, sensory or mental capabilities, or lack of experience and knowledge, unless they have been given supervision or instruction concerning use of the appliance by a person responsible for their safety.
6. Use only as described in this manual. Use only Vax recommended attachments.
7. Do not use the vacuum cleaner if it has been dropped, damaged, left outdoors or dropped into water. If the supply cord is damaged, it must be replaced by the manufacturer, its service agent or similarly qualified persons in order to avoid a hazard.
8. Do not handle the plug or vacuum cleaner with wet hands. Do not use outdoors or on wet surfaces.
9. Do not put any objects into openings. Do not use with any openings blocked and do not restrict airflow. Keep all openings free of dust, lint, hair or anything that might reduce airflow.
10. Keep hair, loose clothing, fingers and all parts of the body away from openings and moving parts.
11. Do not pick up hot coals, cigarette butts, matches or any hot, smoking or burning objects.
12. Do not pick up flammable or combustible materials (lighter fluid, petrol, kerosene etc.) or use in the presence of explosive liquids or vapours.

13. Do not vacuum up harmful or toxic material (chlorine, bleach, ammonia, drain cleaner etc.).
14. Do not vacuum up hard or sharp objects such as glass, nails, screws, coins, etc.
15. Do not use without ALL of the filters in place.
16. Take extra care when vacuuming on stairs.
17. Keep vacuuming area well lit.
18. Store the vacuum cleaner in a cool, dry area.
19. Turn off the on/off switch before unplugging the vacuum cleaner.
20. Use only SAA-approved 10 amp extension cords. Non-approved cords may overheat. Care should be taken to arrange the cord so that the cord cannot be tripped over.



WARNING: Always switch off the vacuum cleaner assembling, opening or emptying the dirt container, or before connecting/ disconnecting the attachments.



IMPORTANT: Washing filters improves vacuum performance. We recommend that they should be checked and cleaned periodically (depending on the level of use). Make sure all filters are completely dry before inserting back into the vacuum cleaner.

This vacuum cleaner is intended for household use only and NOT for commercial or industrial use.

PLEASE KEEP INSTRUCTIONS FOR FURTHER USE.

Operation

Keep your Vacuum like new

 **IMPORTANT:** The condition of the filters affects the performance of your machine. Please check and clean filters periodically (depending on the level of use).

 **IMPORTANT:** Do not use the vacuum cleaner without all of the filters in place.

Assembling your vacuum cleaner

This leaflet is a step by step guide to making the most of your Vacuum. We recommend you read it thoroughly before attempting to use your machine

STEP 1: Unpack your Vacuum

Once you have unpacked the contents of this box and removed your vacuum from its wrappings, you should have the following items in front of you.

- The Vacuum in upright mode
- 1 transformer unit
- 1 wall mounting kit comprising: 1 wall bracket
- 2 rawl plugs
- 2 fastening screws

STEP 2: Fitting the wall bracket

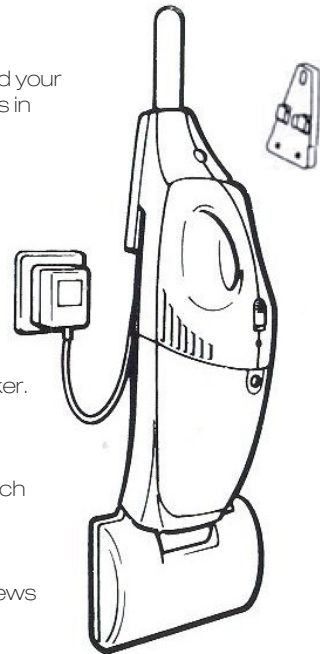
First choose a point near a plug socket in the wall at a height that will allow the vacuum to hang freely from the wall bracket. Avoid placing near sources of moisture such as a kettle or cooker. Position the wall bracket against the wall and mark with a pencil the points at the top of the keyhole screw slots through which the fastening screws are to be inserted.

Take a 6mm (1/4") drill and bore a hole depth of 3 cm through each of the marks you made. Insert a rawl plug into each hole then screw in the screws until they are protruding by 6mm (1/4").

Now hang the wall bracket on the screws with the narrow end uppermost. Holding the wall bracket firmly in place, turn the screws in tightly so that the bracket is firmly affixed to the wall.

STEP 3: Preparing your vacuum for use

Your vacuum can be used in two models Upright and Handheld. Before you can use it in either mode, you must remove the switch -guard protecting the on/off switch. Once removed, the switch -guard can be discarded.



NOTE: For convenience the unit folds flat for storage & carrying

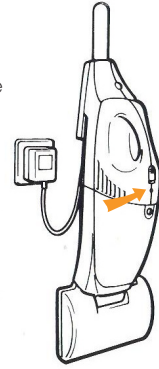
Operation

STEP 4: Checking the Charge Level

Your machine has been supplied pre-charged so that it is ready to use for the moment you open the box. However, you should check that the machine is fully charged before you turn it on. This can be done as follows:

- Make sure the unit is turned off.
- Now hang it on the wall bracket.
- Plug the transformer into an electrical socket.

If your machine is fully charged, the red light on the handle will flash intermittently. If the red light is on constantly, your vacuum will require recharging to full power. If the light does not come on at all, refer to your Vax Serving Agent or call: AU 1300 361 505 / NZ: 0800 800 900.



Operating the Appliance

1. Recharging your vacuum in wall mounted mode

Simply leave the vacuum set up as described until the red light begins to flash, indicating that the machine is fully charged. The automatic power cut-off circuit will then disconnect the machine from the mains.

The battery will now be ready to provide up to 22 minutes of power as a handheld unit or up to 15 minutes as an upright.

Your vacuum should be left in charging mode when not in use so that full power is at hand whenever you need it. However, like all electrical appliances, we recommend you unplug the transformer if you go on holiday or are away for any long period of time.

2. Recharging your vacuum when separated from the wall bracket

The handheld unit can be charged separately as follows:

- Plug the transformer jack into the socket above the handle.
- Plug the transformer into an electrical socket.
- The red light will flash intermittently when the unit is fully charged.

Once the handheld unit is fully charged, it will not be necessary to recharge the battery if you want to use the vacuum in upright mode.

3. Using your vacuum in upright mode

- Simply lift the machine off the wall bracket.
- Twist the hand grip at the top of the machine anti-clockwise and pull out the telescopic handle.
- Twist the hand grip clockwise (until locked) once the handle has reached the required length. The machine is now ready for use.

4. Using your vacuum in handheld mode.

Depress the release button above the handle to remove the handheld unit for the upright casing.



Maintenance (Keep your Vax as good as new)

Emptying your vacuum

- Hold the handheld unit upright with the handle at the top.
- Press the container release button and separate the motor unit from the container.
- Remove the filter from the dust container. Lightly tap the filter to free the accumulated dust.
- Finally, shake the content of the dust container into a waste bin then wipe the surfaces clean with a damp cloth.
- Replace the filter. Ensure that it is resting against the filter stops.

NOTE: Although the Vax vacuum filter is designed to be hard-wearing, it will require replacement from time to time. New filters are available from you local stockist, or call AU: 1300 361 505 / NZ: 0800 800 900

Important note about the Battery:

- The battery used to power your cordless Stick Vac is a lead acid battery.
- Always re-charge the battery after use.
- Do not run battery to a discharged state without re-charging immediately.
- If battery is left in a discharged state its performance will be adversely affected.

Other Information

Service & Help

Customer Careline AU: 1300 361 505 / 0800 800 900

Monday-Friday 8.30am to 5.00pm

Any queries or concerns about using the Vacuum call the Vax Careline.

Please make a note of the serial number and model number of the carpet cleaner before calling.

Technical Specification

Voltage: 220-240V ~50Hz - Transformer

Volts 6V, 4.2 Ah Lead Acid Battery

Capacity: 750ml

Filters: Non - HEPA
Tap to Clean

Charge Time: 12-14hours

Run Time: As handheld: 22 mins

As stickvac: 15 mins

Weight: 3.17kg

Subject to technical change without notice.



N197



Waste electrical products should not be disposed of with household waste. Please recycle where facilities exist. Check with your Local Authority or retailer for recycling advice.



we  clean

Distributed by Techtronic Industries Ptd. Ltd.
Level 1, 666 Doncaster Rd, Doncaster, Australia 3108.
www.vax.com.au Service Line: AU: 1300 361 505 / NZ: 0800 800 900