

VAXCARE

Please register your warranty. Send in your completed Warranty Card.

If you require any further assistance or advice about any VAX please call VAXCARE on

1300 36 4040 (Australia - cost of a local call)
and **0800 800 900** (NZ)



VAX Appliances (Australia) Pty Ltd
A.C.N. 009099736

296 Victoria Road Malaga Western Australia 6090.

EMAIL: vaxcare@vax.com.au

WEBSITE: www.vax.com.au

vax AUST. & NZ BRANCHES

• NSW/ACT

Unit 2, 30 Heathcote Road,
Moorebank, NSW 2170
Telephone: (02) 9602 6800
Facsimile: (02) 9602 6900

• VICTORIA/TASMANIA

Unit 3, 46 Burgess Road,
Bayswater North, VIC 3153
Telephone: (03) 9761 7160
Facsimile: (03) 9761 7175

• SOUTH AUSTRALIA/ NORTHERN TERRITORY

Unit 3, 75-77 Grange Road,
Welland, SA 5007
Telephone: (08) 8340 2222
Facsimile: (08) 8346 7933

• QUEENSLAND

186 Kerry Road,
Archerfield, QLD 4108
Telephone: (07) 3216 7350
Facsimile: (07) 3216 7375

• WESTERN AUSTRALIA

296 Victoria Road,
Malaga, WA 6090
Telephone: (08) 9247 8100
Facsimile: (08) 9247 8192

• VAX APPLIANCES NEW ZEALAND

27 Clemow Drive
Mt Wellington, Auckland
Telephone: (09) 5736220
Facsimile: (09) 5736224
Email: vaxnz@vax.co.nz



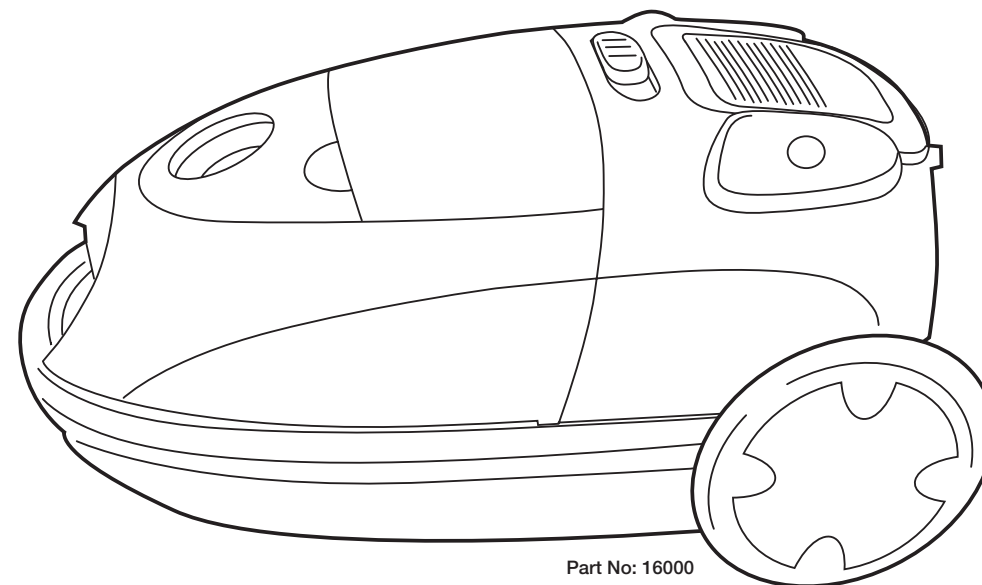
www.vax.com.au

Vaxcare:
AUST: 1300 36 4040
NZ: 0800 800 900

Axiom

MODEL V-075

**BAGGED CYLINDER VACUUM CLEANER
WITH HEPA FILTRATION**



Part No: 16000

Instruction Manual

Please read carefully before using the cleaner.
Always fully extend the power cord before use.

1. Safety Information

FOR HOUSEHOLD USE ONLY

When using the vacuum cleaner, basic safety precautions should always be observed, including the following:

1. Only use the vacuum cleaner indoors on dry surfaces.
2. Turn off the vacuum cleaner controls before connecting to or disconnecting from the mains supply.
3. Always unplug the vacuum cleaner before connecting or disconnecting the vacuum hose.
4. This appliance is not intended for use by young or infirm persons unless they have been adequately supervised by a responsible person to ensure that they can use the appliance safely. Young children should be supervised to ensure that they do not play with the appliance.
5. Use only as described in this manual. Use only the manufacturer's recommended attachments.
6. Do not use the vacuum cleaner if it has been dropped, damaged, left outdoors or dropped into water. Do not use the vacuum cleaner with a damaged cord or plug. If the supply cord or plug is damaged, return the vacuum cleaner to a Vax Authorised Service Agent for examination, repair or adjustment.
7. Do not pull or carry by the cord. Do not use the cord as a handle, close a door on the cord or pull the cord around sharp edges or corners. Do not run the vacuum cleaner over the cord. Keep the cord away from heated surfaces.
8. Do not handle the plug or vacuum cleaner with wet hands. Do not use outdoors or on wet surfaces.
9. Do not put any objects into openings. Do not use with any openings blocked and do not restrict air flow. Keep all openings free of dust, lint, hair or anything that may reduce airflow.
10. Keep hair, loose clothing, fingers and all parts of the body away from openings and moving parts.
11. Do not pick up hot coals, cigarette butts, matches or any hot, smoking or burning objects.

12. Do not pick up flammable or combustible materials (lighter fluid, petrol, kerosene, etc) or use in the presence of explosive liquids or vapours.
13. Do not vacuum up harmful or toxic material (chlorine bleach, ammonia, drain cleaner, etc).
14. Do not vacuum up hard or sharp objects such as glass, nails, screws, coins, etc.
15. Do not use without the filters in place.
16. Take extra care when vacuuming on stairs.
17. Keep vacuuming area well lit.
18. Store the vacuum cleaner indoors in a cool, dry area.
19. Turn off the switch before unplugging.

WARNING: Always switch off and unplug the vacuum cleaner from the electrical outlet before assembling, opening or emptying the dust bag, or before connecting/disconnecting the attachments.

CAUTION: The vacuum cleaner is a very powerful unit. Before plugging the cord into the outlet make sure the switch is in the 'off' position.

IMPORTANT: If the inlet or hose is blocked, switch off the vacuum cleaner and remove the blockage(s) before re-starting.

IMPORTANT: Changing the dust bag and filters regularly improves vacuum performance.

This vacuum cleaner is intended for household use only and not for commercial or industrial use.

PLEASE KEEP THESE INSTRUCTIONS FOR FURTHER USE.

Motor Thermostat

IMPORTANT: The motor is equipped with a thermal cut-out. If for any reason, the vacuum cleaner should over-heat, the thermostat will automatically turn the unit off. Should this occur, unplug the vacuum cleaner from the electrical outlet and turn off the switch. Remove the dirt container and empty. Clean the filters. Allow the cleaner to cool for approximately one (1) hour before re-starting.

8. Troubleshooting

WARNING: To reduce risk of personal injury, unplug vacuum cleaner before servicing

PROBLEM: Vacuum cleaner won't run

Cause: Not properly plugged into electrical outlet.

Solution: Plug in firmly.

Cause: No electricity in electrical outlet.

Solution: Check fuse or breaker.

Cause: On/off switch not turned on.

Solution: Push on/off switch to on.

Cause: Motor thermostat has tripped.

Solution: Switch off and unplug cleaner. Leave for one (1) hour before switching the cleaner back on.

Cause: Blown fuse/tripped breaker.

Solution: Reset circuit breaker or replace fuse.

PROBLEM: Vacuum cleaner won't pick up/loss of suction

Cause: Dust bag not installed correctly.

Solution: Review dust bag removal and replacement.

Cause: Dust bag full or blocked.

Solution: Replace dust bag.

Cause: Clogged filter.

Solution: Remove filter and clean or replace.

Cause: Blockage in hose or accessories.

Solution: Disconnect hose, remove obstruction from hose or accessory and then re-fit.

PROBLEM: Accessories won't pick up

Cause: Accessories not attached correctly.

Solution: Refer to page 5 for fitting information.

PROBLEM: Dust escaping from the vacuum cleaner

Cause: Dust bag full.

Solution: Dispose of dust bag and replace with a new one.

Cause: Dust bag not installed correctly.

Solution: Review dust bag removal and replacement.

Cause: Hose not installed correctly.

Solution: Review hose installation.

Cause: Filter not installed completely.

Solution: Review filter removal and replacement.

9. VAXCARE Service & Help: AUSTRALIA 1300 36 4040 NEW ZEALAND 0800 800 900

If you have any queries or concerns about using your Vax, call VAXCARE. Please make a note of the serial number and model number of the appliance before calling.

(Aust only: Mon-Fri. 10.00am to 6.00pm. EST)

Calls are charged at the local rate.

An answerphone is available outside of these hours. There are over 300 approved Vax Service Agents in Australia and New Zealand. For the nearest Service Agent, please refer to your Vax warranty or call VAXCARE or visit www.vax.com.au

10. Technical Specification

Voltage: 240V~50Hz

Wattage: 2200W

Capacity: 2.9 litres

Filters: Fibre pre-motor filter

Pleated HEPA post-motor filter

Cord length: 4.65m

Weight: 6.95kg

Part Number: 16000

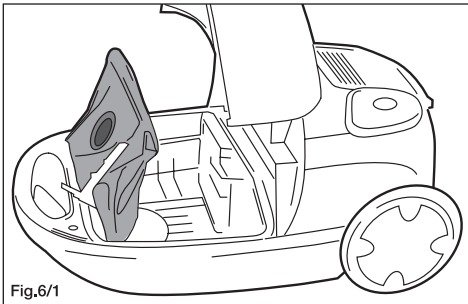
Subject to technical change without notice.

6. Dirt Container & Filters: Removal & Replacement

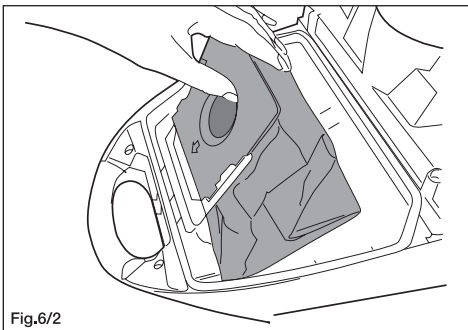
IMPORTANT: Always unplug the vacuum cleaner from the electrical outlet before removing the dust bag.

IMPORTANT: Do NOT use the vacuum cleaner without ALL of the filters in place.

IMPORTANT: The vacuum cleaner is equipped with a bag full indicator. If the indicator turns red, the bag will need to be changed.



1. Turn off the vacuum cleaner and unplug from the electrical outlet. Lift up the top cover to gain access to the dust bag compartment. (Fig.6/1)



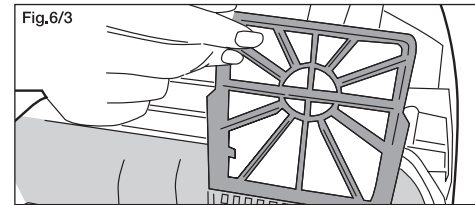
2. Push in the tab to unlock the bag from position and lift out. (Fig.6/2)
3. Dispose of the full dust bag and insert a new dust bag. Click into place, then close the top cover.

Pre Motor Filter:

1. Turn off the vacuum cleaner and unplug from the electrical outlet. Lift up the top cover to gain access to the dust bag compartment.

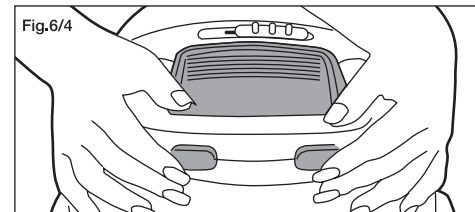
2. Lift out the pre-motor filter situated at the back of the compartment (Fig.6/3) and replace with new one.

N.B. VAX recommend replacing the filter after 5 bag changes or when it appears soiled.



Post Motor HEPA Filter:

1. Turn off the vacuum cleaner and unplug from the electrical outlet.
2. Located at the rear of the vacuum cleaner is the post-motor filter (Fig.6/3) This can be removed (Fig.6/4) and replaced with a new one.

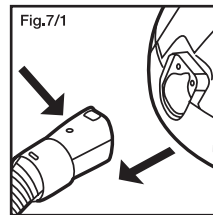


N.B. Vax recommend replacing the filter every 4-6 months, when the bag has been emptied 5 times, when appearance is soiled or when loss of suction is experienced (whichever is sooner).

7. Clearing Blockages

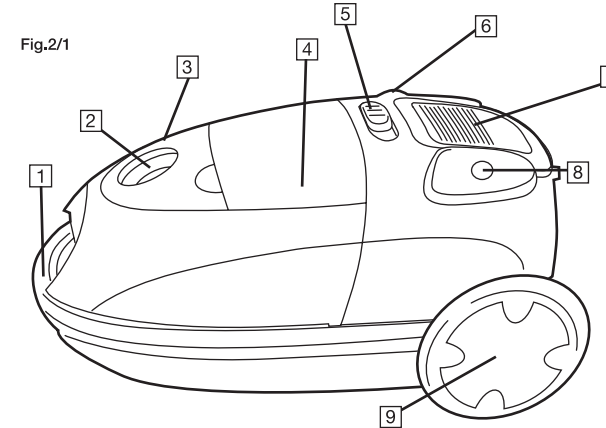
WARNING: To reduce the risk of injury, the power cord must be disconnected before performing maintenance / troubleshooting checks.

1. Switch the vacuum cleaner off and disconnect the power plug from the electrical outlet.
2. The flexible hose can be disconnected from the vacuum cleaner by pushing in the button on the hose and pulling away from the machine.

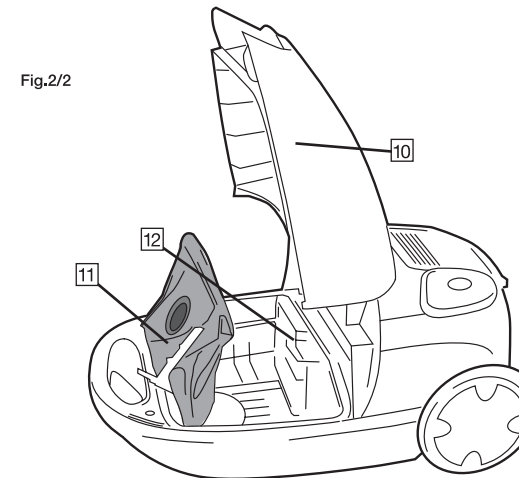


(Fig.7/1). Remove any blockages found then reconnect the hose securely.

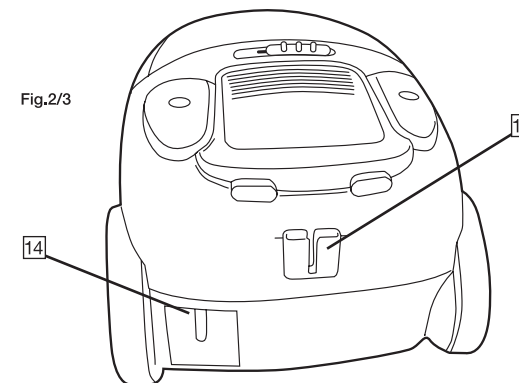
2. Parts Overview



- | | |
|---|-------------------------------|
| 1 | Carry handle |
| 2 | Hose Inlet |
| 3 | Bag full Indicator |
| 4 | Tool storage (Inside machine) |
| 5 | Variable power switch |
| 6 | On/off button |
| 7 | Post-motor filter cover |
| 8 | Cable rewind button |
| 9 | Wheel |



- | | |
|----|------------------|
| 10 | Top cover |
| 11 | Paper dust bag |
| 12 | Pre-motor filter |



- | | |
|----|--------------|
| 13 | Parking slot |
| 14 | Plug |

Accessories

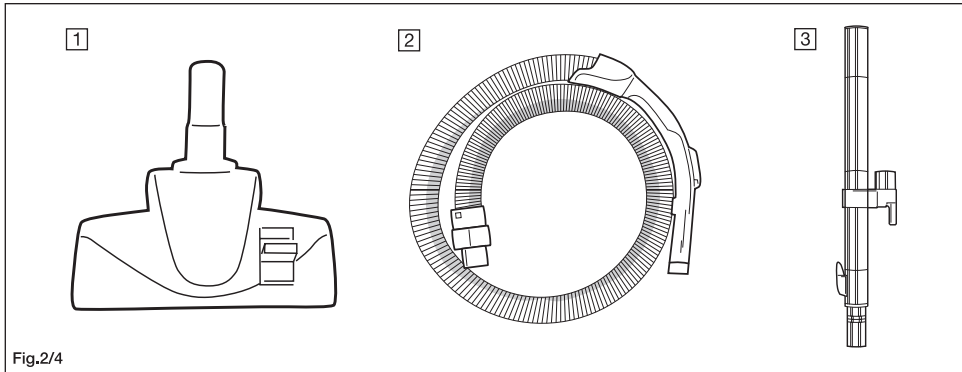


Fig.2/4

- 1 Combination floor head
- 2 Hose
- 3 Extendable Wand

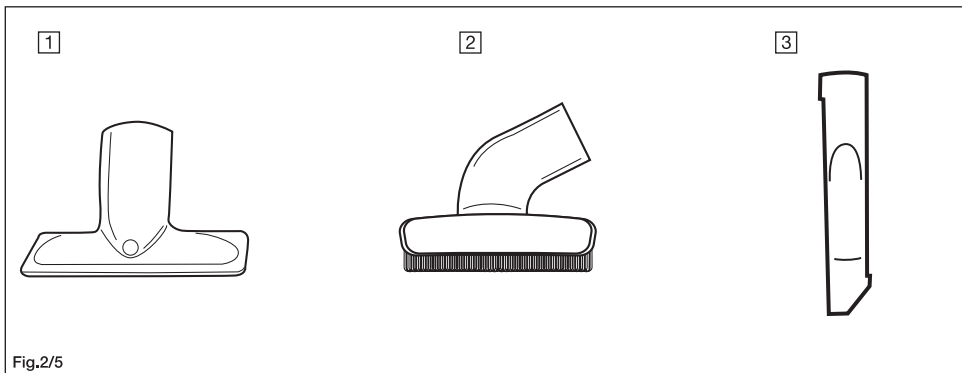


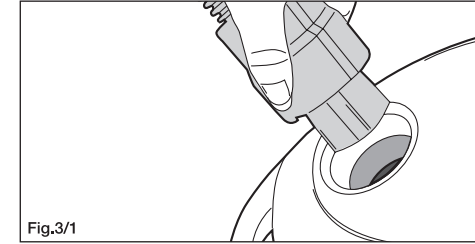
Fig.2/5

- 1 Upholstery tool
- 2 Dusting brush
- 3 Crevice tool

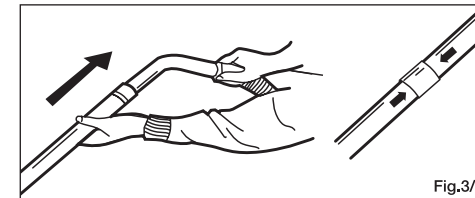
3. How to assemble

IMPORTANT: Always unplug the vacuum cleaner from the electrical outlet before assembling or removing the accessories.

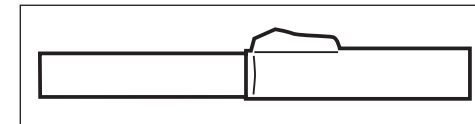
1. Insert the flexible hose into the inlet on the main body of the vacuum cleaner. Push in until it clicks into position (Fig.3/1).



2. Push the telescopic extension tube on to the end of the handle (Fig.3/2).



3. The telescopic extension tube can be lengthened or shortened by pushing the button in and sliding the tube apart or together as required (Fig.3/3).



4. Fit the combination floor head by pushing onto the extension tube (Fig.3/4).

4. How to Operate

Cord Release

Fully unwind the power cord. A yellow mark on the power cord indicates the recommended cord length. Do not exceed the cord length beyond this mark.

On/off Button

1. Insert the power plug into the electrical outlet. Make sure the vacuum cleaner is switched off.

2. Press the on/off switch located on the top of the vacuum cleaner, to switch on the vacuum. Press the button again to turn the vacuum cleaner off.

Carpet Cleaning

For carpet and rug cleaning, press the rocker switch on the combination floor head to raise the brushes.

Hard Floor Cleaning

For hard floor cleaning, press the rocker switch on the combination floor head to lower the brushes.

Cord Rewind

To rewind the power cord, press the cord rewind button and guide the power cord with one hand. Rewind 1-1/2 metres of cord at a time. This will prevent the cord from whipping which could cause damage or injury.

Variable Power

Located between the on/off and cord rewind buttons there is a variable power switch. Slide this forwards and backwards to adjust the suction power.

Carry Handle

Use the carry handle located at the front of the vacuum cleaner to move from room to room.

Hose Storage

For convenience, there is a slot located at the back of the vacuum cleaner where the floor tool and hose can be parked for carrying and storage.

5. Accessories

1. The accessories can be attached directly to the handle by removing the telescopic tubes and pushing in the desired tool.
 2. The accessories can also be attached to the telescopic extension tube for extra reach. Remove the combination floor head and push on the desired accessory.
- Crevice tool:** for crevices, corners and cracks, etc.
Dusting brush: for delicate surfaces.
Upholstery tool: for carpet, upholstery, stairs, etc.